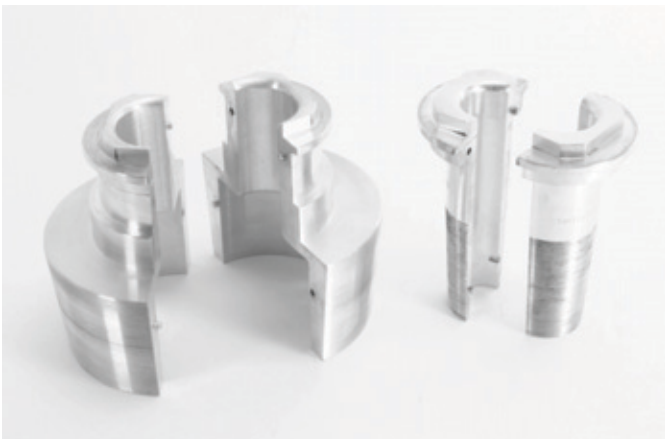
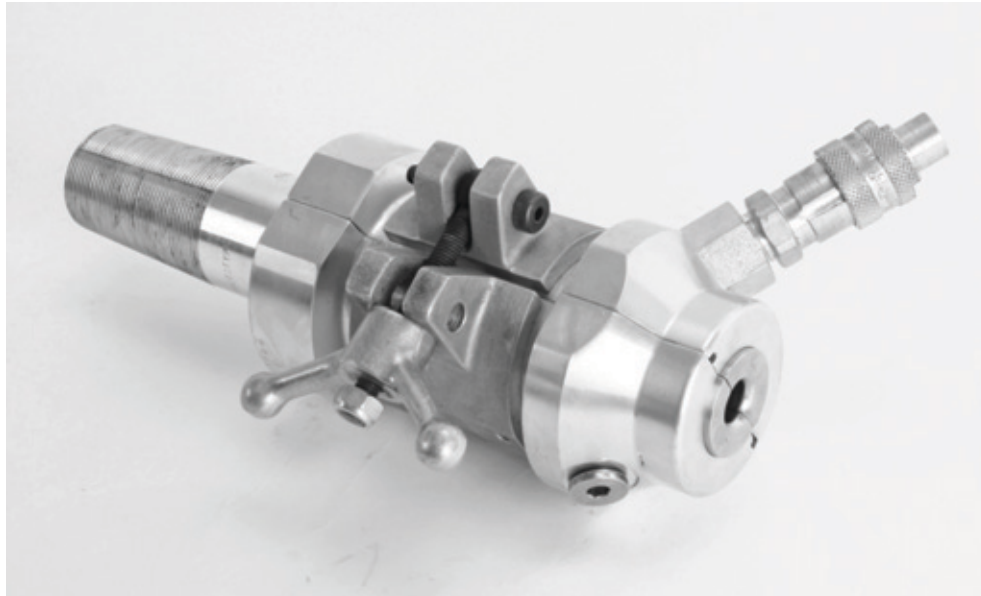




# WINCH LINE BLOWER SYSTEM



# IMPORTANT SAFETY NOTICE

---

Read and understand all procedures and safety instructions before using a Condux Winch Line Blower. Observe all safety information on this page and note specific safety requirements as explained by procedures in this manual. Failure to follow these instructions could result in serious personal injury or death.

## ADVERTENCIA:


Favor de leer y comprender todas las instrucciones de operación y seguridad antes de usar la máquina. Si Ud. no comprende las instrucciones favor de consultarle a su jefe.



**Save this user's guide for future reference.**

For any information related to the machine (use, maintenance, spare parts) always state Model, Serial Number, Manufacturing Year and Order. This data can be found in the machine identification table.

Manufacturer:  
Condux International Inc.  
145 Kingswood Drive  
Mankato, MN 56002-0247  
1-507-387-6576  
Fax 1-507-387-1442  
Internet: <http://www.condux.com>  
E-mail: [cndxinfo@condux.com](mailto:cndxinfo@condux.com)

|   |  |
|---|--|
|  | <p>If you have questions on:<br/><b>SAFETY - OPERATIONS - APPLICATIONS</b><br/>CALL 1-800-533-2077</p> |
|---|--|

# *Table of Contents*

---

## **1. GENERAL INFORMATION**

|                                      |   |
|--------------------------------------|---|
| Purpose of the Winchline Blower..... | 2 |
| Technical Information.....           | 2 |
| Safe Operating Practices.....        | 3 |
| Winch Line Blower Selection.....     | 4 |

## **2. OPERATOR'S INSTRUCTION**

|                                     |    |
|-------------------------------------|----|
| Winch Line Blower Installation..... | 5  |
| Winch Line Blowing Procedure.....   | 11 |
| Winch Line Blower Removal.....      | 12 |

## **3. WINCH LINE BLOWER ADAPTER**

|   |    |
|---|----|
| Purpose of the Winch Line Blower Adapter..... | 15 |
| Winch Line Blower Adapter Installation.....   | 15 |
| Winch Line Blower Adapter Removal.....        | 19 |

## **4. TROUBLESHOOTING**

|                                     |    |
|-------------------------------------|----|
| Solutions to possible problems..... | 21 |
|-------------------------------------|----|

## **5. APPENDIX**

|  |    |
|--|----|
| Winchline Blower Seal-Off Body Assembly.....       | 23 |
| Condux Control Valve Assembly P/N 08209300.....    | 25 |
| Condux Air Hose Assembly P/N 08209310.....         | 26 |
| Condux Conduit Missile Wear/Replacement Parts..... | 27 |
| Winchline Blower Adapter Assembly.....             | 28 |
| Warranty Information.....                          | 29 |

---

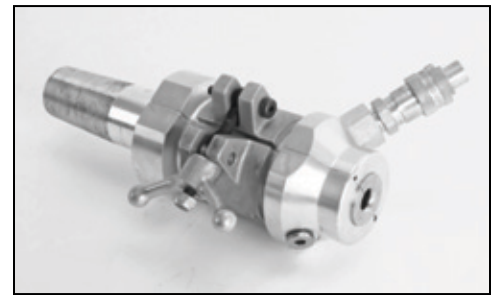
# 1. General Information

## Purpose of the Winch Line Blower

The Condux Winch Line Blower is a unique device for inserting winch lines directly into underground conduit before cable pulling or conduit proving operations. The winch line blower is comprised of three main parts that, when used in conjunction with an air compressor and a cable pulling winch mechanism (truck, trailer, or portable), will propel a standard steel winch cable into an unobstructed, unoccupied, airtight, plastic conduit run at an average speed of 100 feet per minute.

The Condux winch line blower will work with nearly all type of existing steel cable winches that are currently being used for the installation of underground utility cables.

Because of the unique design of the winch line blower, it will operate in a wide range of conduit sizes, from 2 to 6 inch duct, and with various diameter winch lines up to 7/8" (14mm) without compromising efficiency.



The three main parts of the winch line blower are the winchline blower body assembly, the missile and the control valve assembly. When each part of the system is properly installed and maintained, this provides a means of using existing winch line equipment to speed up cable installation procedures by as much as 1000 percent.

## Technical Information

### 1. CONDITION OF USE

- Temperature from 21° F (-6 C) to 110 F (+43 C)
- Humidity from 30% to 90% +/- 5%
- Weather conditions relevant to working conditions
- Natural and/or artificial lighting of the worksite, minimum 200 lux

### 2. AIR COMPRESSOR REQUIREMENTS

- Pneumatic Pressure: 175 psi (12 bar) Maximum
- Required Flow Capacity: 375 SCFM (11 m<sup>3</sup>/min) Maximum
- Control valve air hose fittings need to be compatible with Dixon "Air King" universal couplings.
- Safety Pop-off Valve on Control Assembly set for 90 psi.

## Safe Operating Practices

All tools, materials and equipment manufactured and supplied by Condux International are designed to only be used by trained craft personnel. The information in this manual is essential for the safe use of the Condux Winch Line Blower.

Operating procedures and guidelines must be read and understood by all personnel prior to using any tools, materials, or equipment from Condux International.

### OPERATOR QUALIFICATIONS

- a) Operator in charge of the Winch Line Blower and installation project must be appropriately dressed.
- b) Operator must also wear the necessary protective equipment such as gloves, boots, helmet, etc.
- c) Operator must carefully follow all advisements contained in the instruction manual.
- d) Operator must have work area kept clean of obstacles that might inhibit a safe working area.

Condux will not be held liable for any injury or damage to either persons or property resulting from the misuse of Condux equipment.



**!WARNING: The Condux Winch Line Blower must be properly installed as instructed. Failure to properly install the Winch Line Blower could result in severe personal injury or damage to existing cables or conduit in the utility service access vault.**



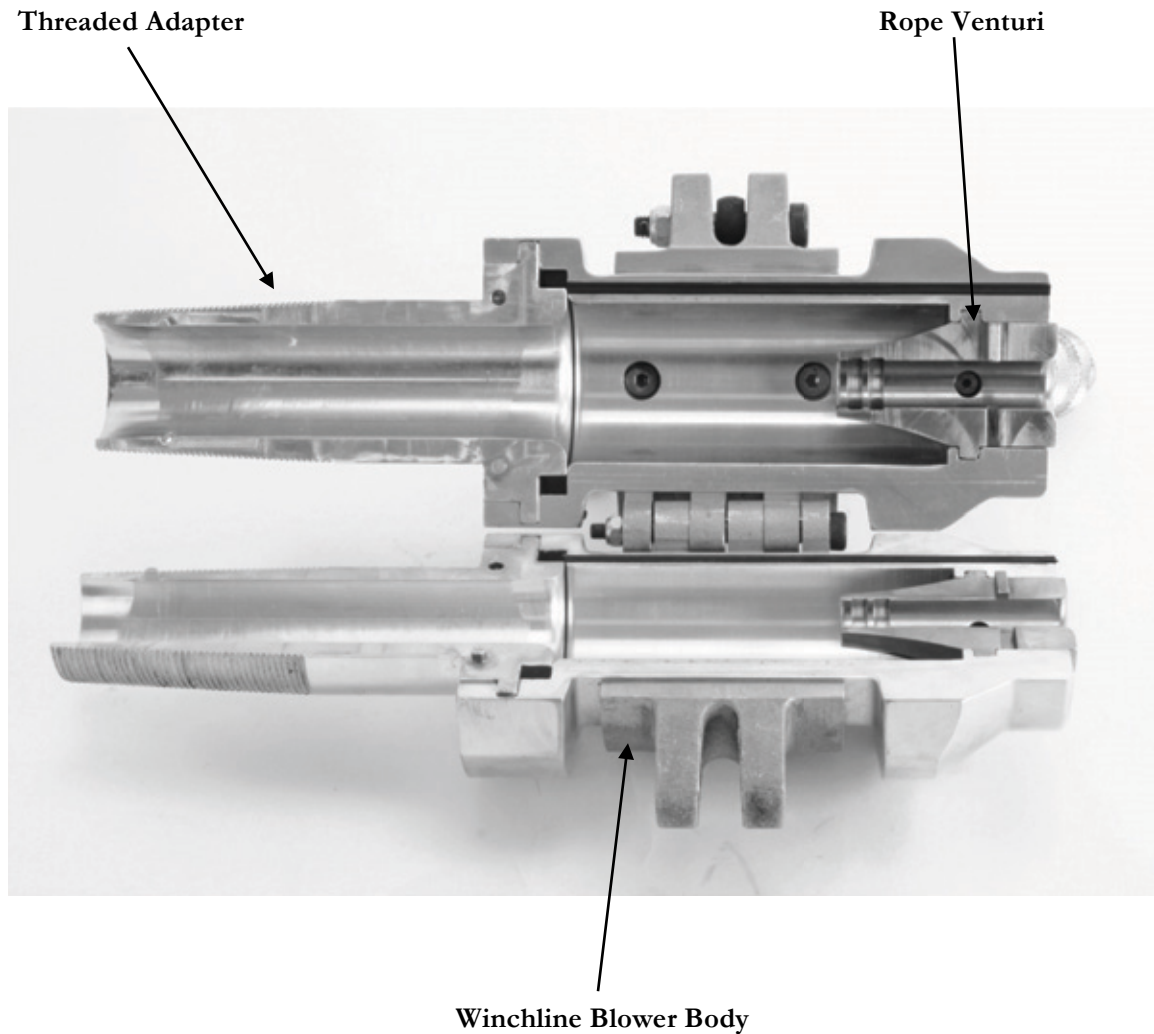
**!CAUTION: The Winch Line Blower is designed for use only in PVC and polyethylene conduit. It will not operate properly and may cause personal injury or physical damage if used in fiberglass, steel, concrete or other types of non-plastic conduits.**

This users guide and safety manual is intended to familiarize operators with the use and safety procedures of the Condux Winch Line Blower.

This manual should be kept available to all operating personnel.

## Winch Line Blower Seal-Off Selection

1. Determine type(s) and diameter(s) of conduit in which the winch line will be inserted.
2. Select the correct threaded adapter to cover the range of conduit types and sizes being used.
3. Select the proper size rope venture. Comes standard with  $\frac{1}{2}$ " –  $\frac{9}{16}$ " venture.
4. Select the proper missile size for the conduit sizes that are going to be used.



## 2. Operator's Instructions

### Winch Line Blower Installation Procedure



**!WARNING:** Do not use around live circuits. The Winch Line Blower is constructed of steel and aluminum, as such is highly conductive. Electric shock may occur if contact is made with live circuits. Always be certain that power has been disconnected.



**!CAUTION:** Standard utility service access vault opening procedures must be followed which include work area protection and gas detection. Hard hats, eye and ear and foot protection, must be worn whenever working in utility service access vaults.

1. Clean out the end of the conduit to remove any dirt or gravel that may get between the conduit and the threaded adapter.
2. Place about ½ quart of cable pulling lubricant (such as Poly J<sup>®</sup>) into the conduit. While this is not required, it does help in installing the missile and helps to increase the efficiency of the winch line blower.
3. Attach the missile to the end of the winch line using the connector supplied with the winch line blower. (See Fig. 1) The large metal disc must be forward in the direction of winch line travel (as shown by the label on the missile).

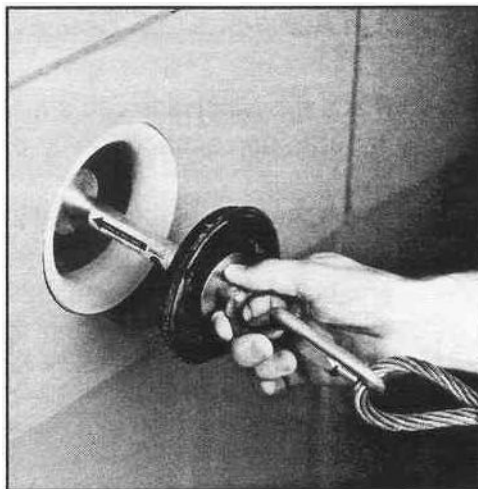


Figure 1: ATTACH THE MISSILE



**!CAUTION:** Always know approximate length of the conduit runs and make certain the winch drum contains enough winch line cable to reach the entire distance before using the winch line blower.



**!CAUTION:** Inspect the winch line cable or know the condition of the cable before using the winch line blower. Replace any cables that are kinked or have worn or broken strands before using the winch line blower.

4. Insert the missile into the conduit and push into the conduit approximately one arms length. (See Fig. 2)

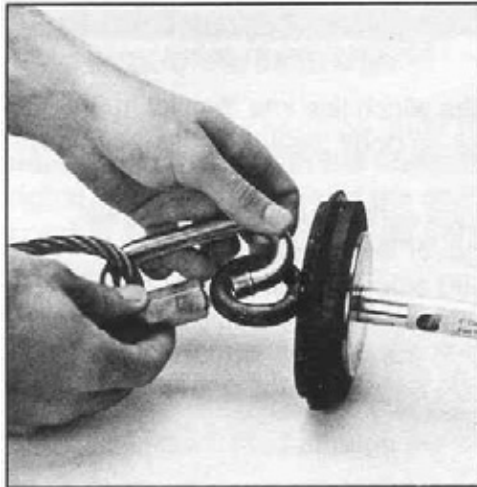


FIGURE 2: INSERT MISSILE INTO CONDUIT

5. Place split-threaded adapter around winch line and screw threaded adapter into pipe until tight by hand. Use adjustable wrench and screw threaded adapter one more full turn. See Figure 3 & 4



**!CAUTION:** Before each use, visually inspect the Winchline Blower Body, threaded adapters, and the missiles for signs of wear, fatigue, and/or breakage. If any of these items show signs of wear, they should be replaced or system function and efficiency will be affected (Reference Appendix).





Figure 3 Place Threaded Adapter into Duct



Figure 4 Tighten Threaded Adapter Using a Wrench

6. Install winchline blower body onto the threaded adapter by matching the threaded adapter's lip to the winchline blower body's groove. See Figure 5 & 6

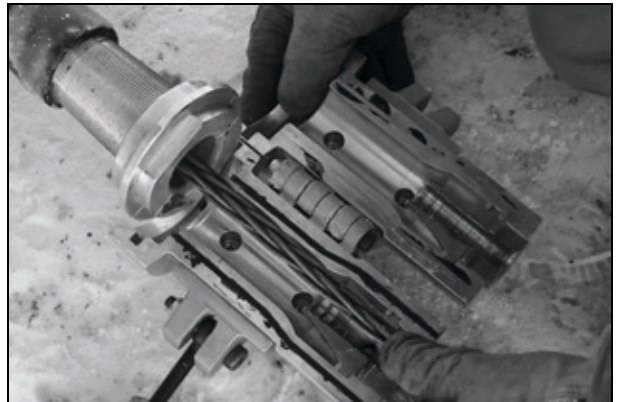


Figure 5 7 6 Install Winchline Blower Body onto the Threaded Adapter



Figure 7 Close and Secure Winchline Blower Body

7. Close winchline blower body and secure by tighten the speedball handle securely. do not over tighten. See Figure 7



**!WARNING: The Threaded Adapters should be screwed tight into the duct to ensure that the Winchline blower does not blow out of the conduit and severely**

**injure persons or damage**

**property.**



Figure 8: Align The Winch Line

8. Ensure that winchline is entering in a straight line. Check the winch line alignment to ensure that the winch line is not hung up or restricted and that it will feed through the winchline blower smoothly. See Figure 8



**!CAUTION: Always guide the winch line into the winchline blower parallel with the center line of the conduit. Use additional sheaves or cable guides if necessary.**

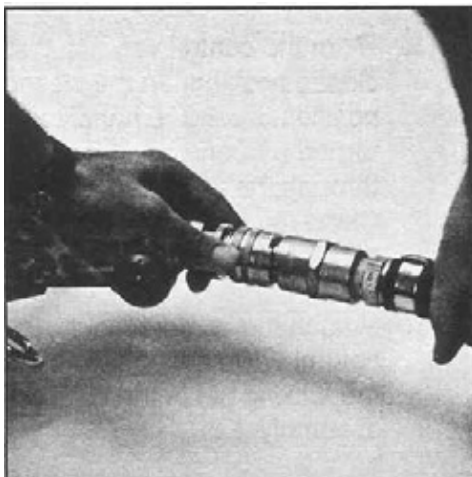


Figure 9: Attach Air Hose

9. Attach the air hose to the seal-off body assembly and tighten the locking ring on the air connector. Rotate the 45° angle fitting away from the winch line channel and the winch line to prevent tangling and wear of the air hose or connectors. See Figure 9
10. Run the air hose out of the utility service access vault, attach to the Control Valve assembly, and tighten the locking ring on the air connector.



**!DANGER: NEVER REMAIN IN EITHER START OR EXIT OF UTILITY SERVICE ACCESS VAULTS DURING THE BLOWING PROCEDURE. SEVERE PERSONAL INJURY OR DEATH COULD RESULT.**



**!WARNING: Do not attempt to operate the winch line blower with a different control valve than what is supplied with the winch line blower kit. The seal-off could blow out of the conduit or the conduit itself could rupture.**



**!WARNING: Check that all air hose connections are securely attached, and that the locking ring is in place and tight.**

11. Turn the control valve to the closed position (see Figure 10). In the closed position, the valve handle will be turned perpendicular to the air flow through the fitting. Close the outlet valve on the air compressor.

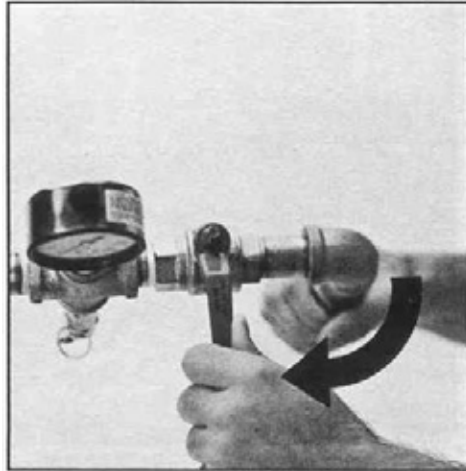


Figure 10: Close Control Valve

12. Attach the compressor hose to the control valve assembly and insert the locking pin the connector assembly.
13. Start the air compressor. The recommended air compressor size should be 75 to 185 CFM and 50 to 110 psi.

You are now ready to blow the winch line into the conduit.

## Winch Line Blowing Procedure



**!DANGER: ALL PERSONNEL MUST BE OUT OF THE START AND EXIT UTILITY SERVICE ACCESS VAULTS DURING THE BLOWING PROCEDURE. SEVERE PERSONAL INJURY OR DEATH COULD RESULT FROM FAILURE TO OBEY THESE RULES.**

1. Verify that all personnel are out of the start and exit utility service access vaults or utility service access vaults.
2. Verify that the control valve is in the closed position.



**!CAUTION: Keep the work area clean and free of debris. The work area should provide good footing.**



**Note:** One person should be in charge of the control valve assembly and, if positioned properly, should be able to view the winch line feeding off the winch drum, view the cable feeding down into the utility service access vault around the sheave, blocks, etc., and monitor the condition of the winch while it is being propelled. A second person should assist in monitoring the winch line and keep in contact with the exit utility service access vault. Two-way radios are recommended so the personnel at each end of the conduit run can be aware of the situation status immediately.

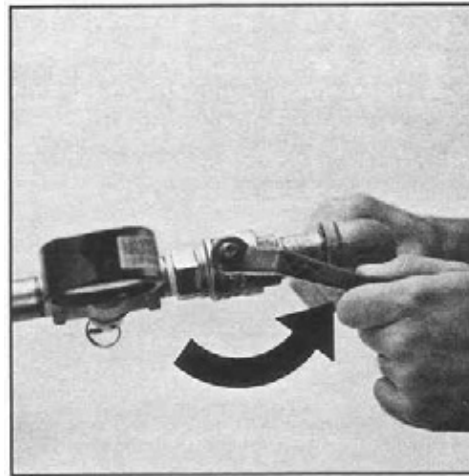


Figure 11: SLOWLY OPEN CONTROL VALVE

3. Open the outlet valve on the air compressor See Figure 11.
4. Slowly open the winch line blower control valve assembly. The control valve assembly can be slowly opened by turning the valve handle in line with the air flow. The missile will begin to move forward towards the exit utility service access vault, pulling the winch line with it. Allow all slack to come out of the winch line before opening the valve fully. Continue opening the control valve while constantly monitoring the status of the winch line.

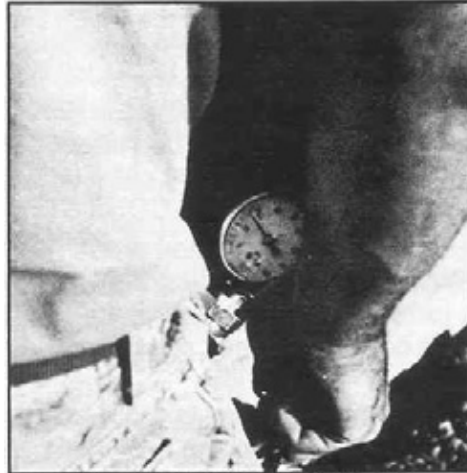


Figure 12: MONITOR STATUS

5. Continue monitoring the winch line status and the pressure gauge on the control valve assembly, Figure 12. Average pressure reading during normal missile blowing operations should be approximately 70 – 90 psi.



**!DANGER: DO NOT ATTEMPT TO GRAB ONTO THE WINCH LINE TO ASSIST ITS TRAVEL OR SLOW IT DOWN. SERIOUS PERSONAL INJURY OR DEATH MAY RESULT FROM FAILURE TO OBEY THESE RULES.**



**!DANGER: DO NOT LEAVE THE MOVING WINCH LINE UNATTENDED. PERSONNEL OR EQUIPMENT COULD BECOME ENTANGLED, RESULTING IN SERIOUS PERSONAL INJURY OR DEATH.**



**!CAUTION: Do not tamper with or remove the pressure relief valve. Pressure must be limited to 90 psi. If the pressure exceeds 90 psi., immediately shut the control valve and check the pressure gauge and the pressure relief valve for proper operation. If no faults can be found, return the control valve assembly to Condux International Inc. for repair or replacement (see Appendix for return instructions).**

**NOTE:** Starting and stopping of the winch line blower repeatedly during one conduit run may put undue stress on missile and winch line connections and/or winch line drum. Once the missile and winch line are moving forward, keep air pressure and flow constant to propel the winch line at an average rate of 100 feet per minute.

6. While monitoring the winch line blowing procedure, use care to prevent the winch line and missile from “out running” the air compressor. This is characterized by the winch line jumping, flapping or surging (shooting into the conduit very quickly, then stopping, and shooting quickly into the conduit again). If this begins to occur, slow down the air flow by partially closing the control valve until the winch line feeds off the drum SMOOTHLY and CONSISTENTLY.



**!WARNING: Winch line cable must be kept tight and must not be allowed to jump, flap, surge, or become slack. Damage to utility service access vault equipment may result.**

7. If the winch line is proceeding smoothly and consistently, listen for the exit end personnel to relay that missile and winch line have arrived. If the winch line does not proceed smoothly or stops before reaching the exit, follow the **troubleshooting** guide in the following section.



**!DANGER: READ AND UNDERSTAND THE TROUBLESHOOTING INSTRUCTIONS BEFORE USING THE WINCH LINE BLOWER SYSTEM. FAILURE TO FOLLOW THESE INSTRUCTIONS COULD RESULT IN SERIOUS PERSONAL INJURY OR DEATH.**

## Winch Line Blower Seal-off Body Removal

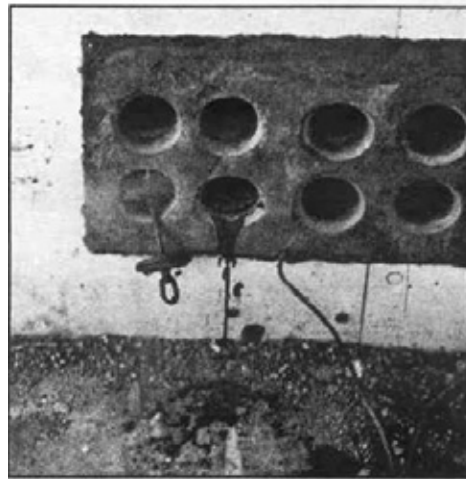


Figure 13: MISSILE ARRIVES

1. Once the missile arrives in the exit utility service access vault, close the control valve on the control valve assembly. See Figure 13
2. Close the outlet valve on the air compressor and shut off the compressor.
3. Remove the air hose from the control valve assembly to assure all air pressure is removed from the system and cannot be accidentally applied while in the access vault.



**!CAUTION: ALLOW THE EXCESS AIR TO BLEED OFF FROM THE CONTROL VALVE ASSEMBLY AND THE SEAL-OFF BODY ASSEMBLY PRIOR TO ENTERING THE UTILITY SERVICE ACCESS VAULT.**

4. Disconnect the air hose from the seal-off body assembly and pull the air hose out of the utility service access vault and out of the way.

5. Remove the winchline blower assembly from the conduit by turning the winchline blower body **counter-clockwise** until the unit can be removed from the duct.
6. Set the winchline blower off to one side and out of the way.
7. The missile and connector must be removed from the winch line at the exit utility service access vault. The winch line can then be prepared to pull in the cable assemblies or a mandrel, depending on job requirements.



**!WARNING: Never attempt to pull back mandrels or cable with the winchline blower assembly still installed in the conduit. Damage to the seal-off body assembly or the conduit will result.**



**!CAUTION: Keep all components of the Winch Line Blower Kit clean and free of all foreign materials.**



### 3. Installing Measuring Tape

#### Installation Procedures

1. Clean out the end of the conduit to remove any dirt or gravel that may get between the conduit and the Threaded Adapter. Apply a 1/4" cup of lubricant into the duct system.
2. Remove rope venturi if installed See Figure 1

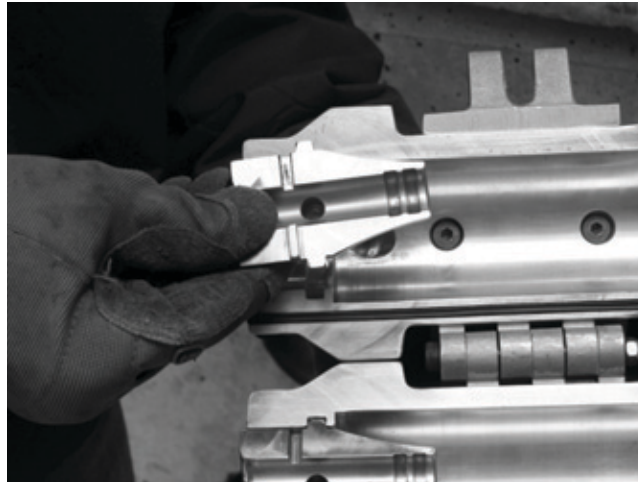


Figure 1 Remove Rope Venturi

3. Insert the seal disk plug into rope venturi slot See Figure 2



Figure 2 Insert Seal Disk Plug

4. Remove Hex plug using a 5/16" hex wrench and install 3/8" rope adapter see Figure 3 and Figure 4.



Figure 3 Remove Hex Plug

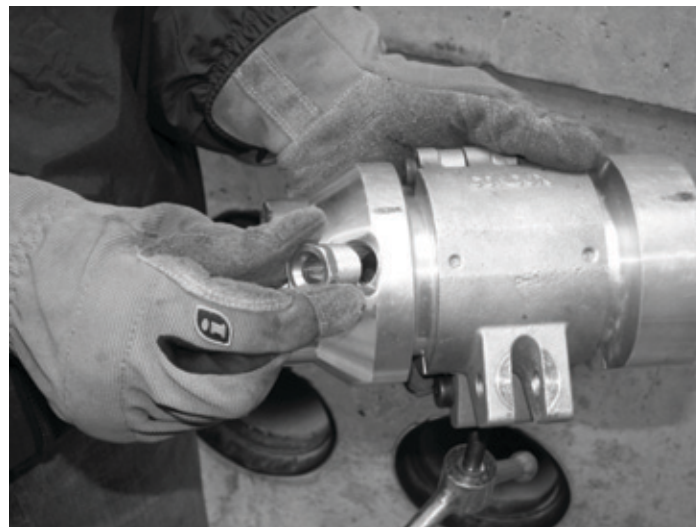


Figure 4 Insert 3/8" Rope Adapter



**!CAUTION:** Always know approximate length of the conduit runs and make certain the measuring tape reel contains enough measuring tape to reach the entire distance before using the winch line blower blower.

5. Insert measuring tape through the 3/8" rope adapter See Figure 5

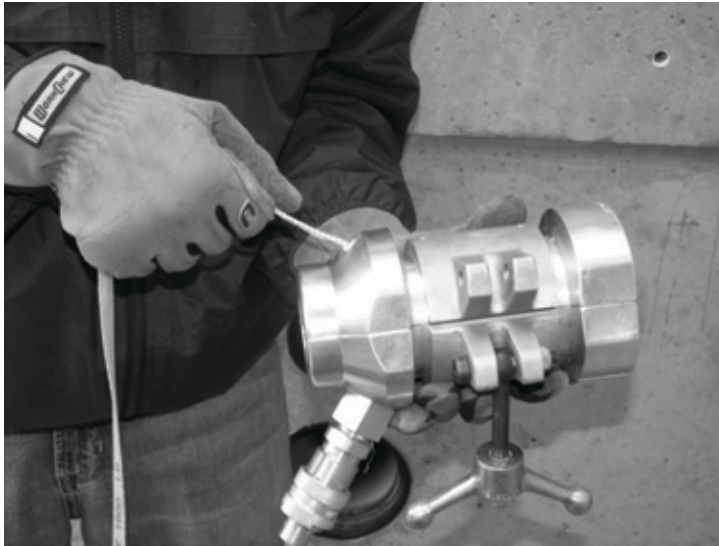


Figure 5 Insert Measuring Tape through 3/8" Rope Adapter

6. Attach measuring tape to carrier and install carrier into the duct See Figure 6



Figure 6 Attach Measuring Tape to Carrier and Insert into Duct

**!CAUTION:** Before each use, visually inspect the winchline blower body assembly, threaded adapters and missiles for signs of wear, fatigue, and/or breakage. If any of these items show signs of wear, they should be replaced, or system function and efficiency will be affected (Reference Appendix)

7. Screw threaded adapter into pipe until tight by hand. Use adjustable wrench and screw threaded adapter one more full turn See Figure 7 & 8



**Fig. 7** Insert Threaded Adapter into Duct



**Fig. 8** Insert Threaded Adapter into Duct

8. Install winchline blower body onto the threaded adapter. Close winchline blower body and secure by tightening the speedball handle securely, do not over tighten See Figure 9 and Figure 10.

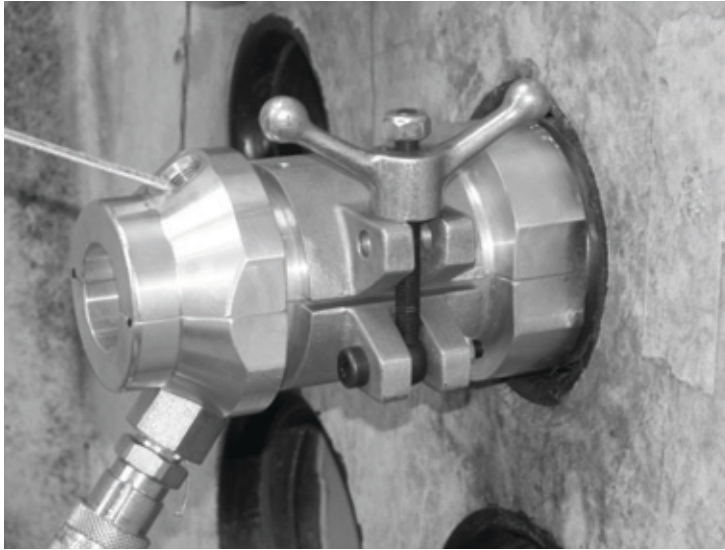


Figure 9 Install Winchline Blower Body



Figure 10 Secure Speed Ball Handle

9. You are now ready to install your measuring tape



10. For Winch Line installation procedures refer back to **Section 2** of this manual.

## 4. Troubleshooting

### Solutions to possible problems



**!WARNING: DO NOT ENTER THE UTILITY SERVICE ACCESS VAULT TO CHECK THE MISSILE OR SEAL-OFF WHILE THE SYSTEM IS UNDER PRESSURE. SHUT OFF THE AIR SUPPLY AND DUMP THE RELIEF VALVE PRIOR TO ENTERING THE UTILITY SERVICE ACCESS VAULT.**

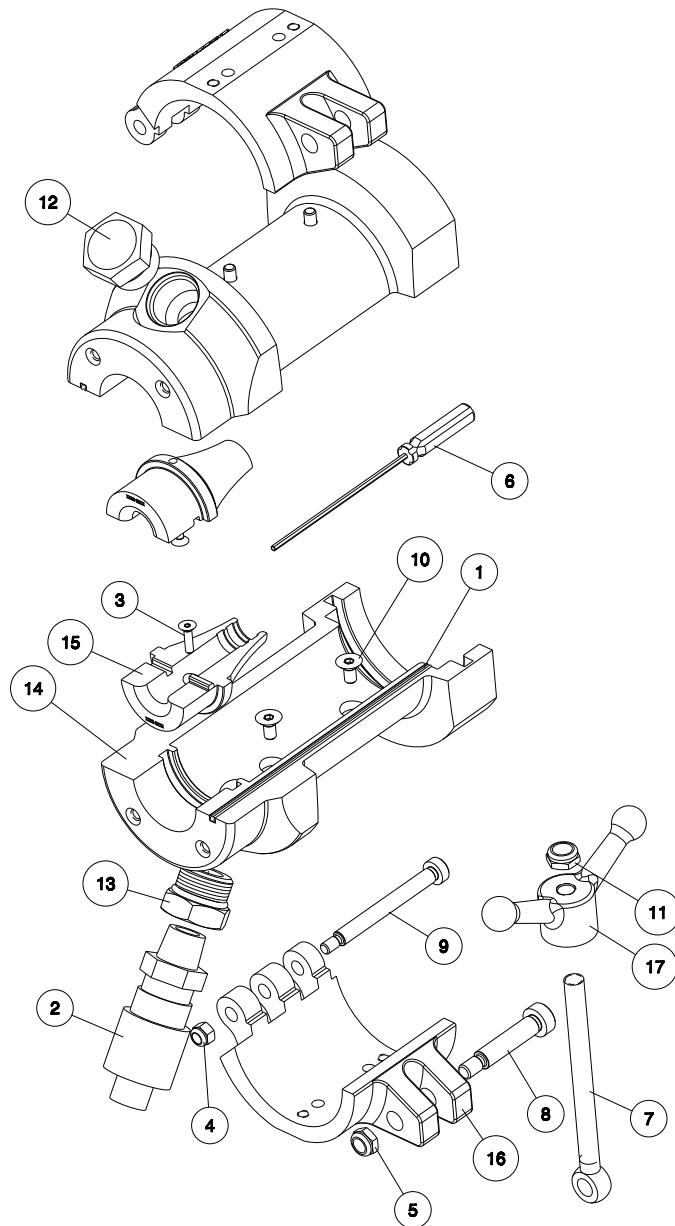
| PROBLEM  | SOLUTION  |
|--|---|
| THREADED ADAPTER DOES NOT FIT INOT THE CONDUIT.                                      | <ol style="list-style-type: none"> <li>1. Wrong size threaded adapter was selected</li> </ol>   |
| MISSILE GOES INTO CONDUIT A DISTANCE BUT WILL NOT EXIT AT OTHER END.                 | <ol style="list-style-type: none"> <li>1. If air is escaping at the exit end, the air is bypassing the missile. The missile is either worn out or is the wrong size for the conduit in which it is being used. The missile will have to be pulled back out of the conduit and replaced. Follow the removal process for the seal-off body assembly as listed in the previous section and use the winch truck to pull back the missile.</li> <li>2. If no losses are found at either end of the conduit run, the missile may have stopped due to a conduit obstruction or due to an unsealed conduit run. In the latter case, the Condux Winch Line Blower will not properly function. In this instance, the seal-off body assembly must be removed from the conduit as described in the previous section, the missile must be pulled back out of the conduit by the winch line, and another method of inserting the winch line into the conduit must be used.</li> </ol> |
| MISSILE GOES INTO CONDUIT A DISTANCE BUT WILL NOT EXIT AT OTHER END DUE TO A CONDUIT | <ol style="list-style-type: none"> <li>1. The Condux Winch Line Blower will push water, sand, and small gravel in front of the missile and</li> </ol>   |

|  |  |
|--|--|
| OBSTRUCTION.   | will clear the conduit of light obstructions. The missile is also able to maneuver through most areas where the conduit may be deformed and flattened. If the missile is not able to pass through the conduit, the conduit is fully plugged or has a major conduit obstruction.  |
| MISSILE GOES INTO CONDUIT A DISTANCE BUT WILL NOT EXIT AT OTHER END DUE TO TOO MUCH BACK FORCE ON THE MISSILE. | <ol style="list-style-type: none"> <li>1. The winch line is exerting too great of a back force on the missile to propel the missile and cable any further. This may be due to too many bends in the run, the distance of the conduit run being too great, or the tension on the winch line being too large.</li> </ol> |
| SEAL OFF ASSEMBLY SLIPS OUT OF THE PIPE  | <ol style="list-style-type: none"> <li>1. Using an adjustable wrench screw the threaded adapter into the duct tighter.</li> <li>2. Check the threads for wear.</li> </ol>  |



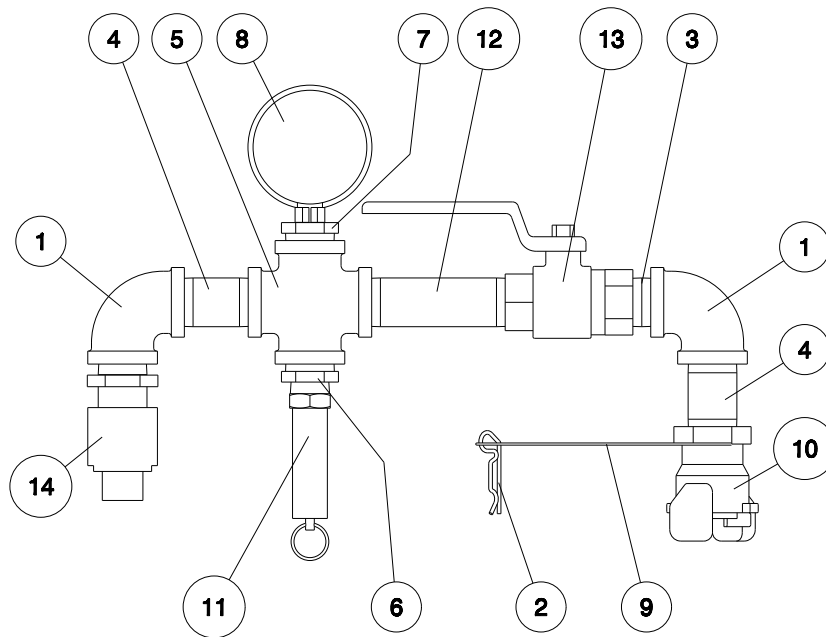
## 5. Appendix

### Winch Line Blower Body Assembly



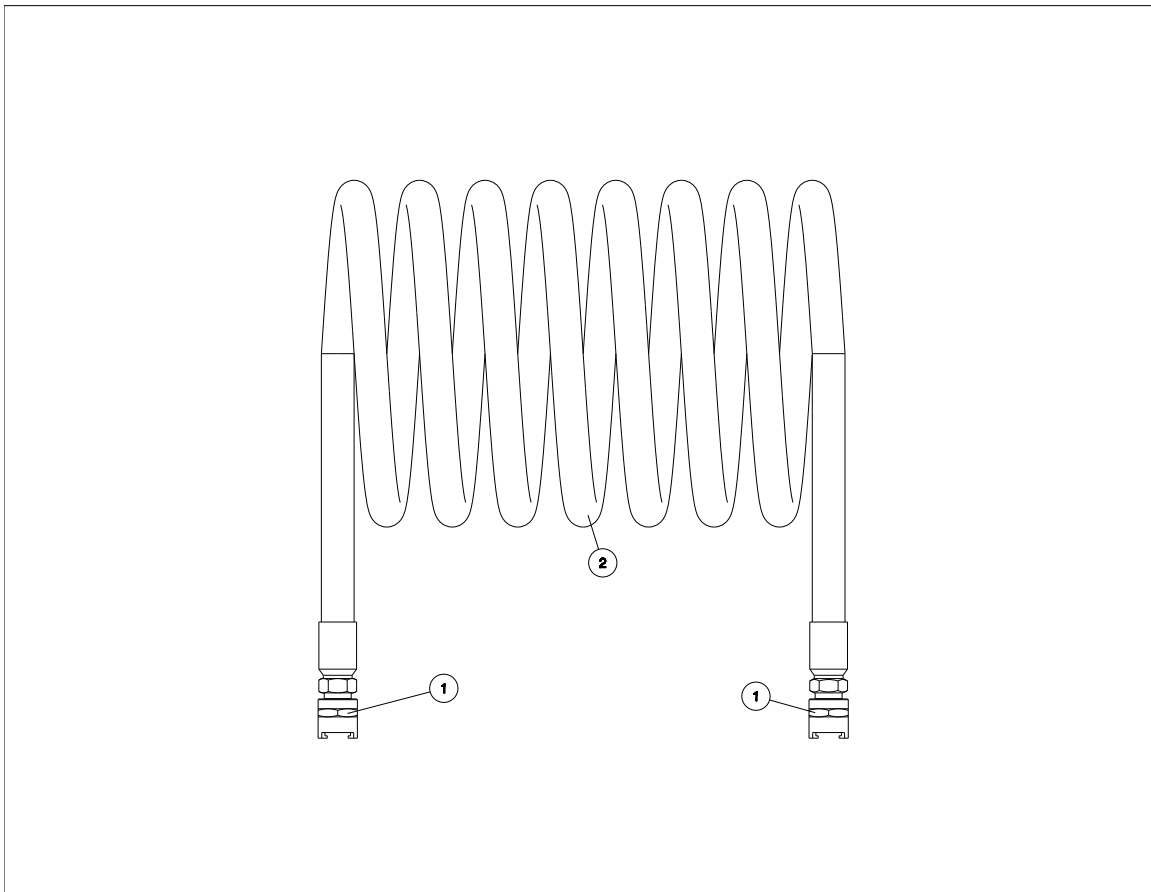
| <b>Winchline Blower Body Assembly</b> |                    |  |            |
|---------------------------------------|--------------------|--|------------|
| <b>ITEM</b>                           | <b>PART NUMBER</b> | <b>DESCRIPTION</b>                           | <b>QTY</b> |
| 1                                     | 08780126           | 3.5mm CS QUAD-RING KIT                       | 1          |
| 2                                     | 02288000           | MALE LOCKING COUPLER - 1/2NPT-M              | 1          |
| 3                                     | 02288596           | CAPSCREW,C-SINK M04-0.7 x 16MM 18-8SS        | 2          |
| 4                                     | 02288665           | NUT,NYLOC M06-1.00 CZ                        | 1          |
| 5                                     | 02288694           | NUT,NYLOC M08-1.25 CZ                        | 1          |
| 6                                     | 02288787           | HEX DRIVER - 2.5MM                           | 1          |
| 7                                     | 02289293           | SWING BOLT M10-1.50 x 125MM                  | 1          |
| 8                                     | 02289294           | SHOULDER SCREW M10 x 40MM (M08-1.25 THREADS) | 1          |
| 9                                     | 02289295           | SHOULDER SCREW M08 x 70MM (M06-1.00 THREADS) | 1          |
| 10                                    | 02289297           | CAPSCREW,C-SINK M06-1.0 x 12MM 18-8SS        | 4          |
| 11                                    | 02289382           | NUT,NYLOC THIN M10-1.50 CZ                   | 1          |
| 12                                    | 02290020           | 3/4O-RING MALE HEX PLUG FITTING              | 1          |
| 13                                    | 02290021           | 3/4O-RING MALE x 1/2NPT-F FITTING            | 1          |
| 14                                    | 08201081           | BODY INSERT - WLB                            | 2          |
| 15                                    | 08201086           | WINCHLINE VENTURI SET (1/2 - 9/16) INCLUDED  | 1          |
| 15                                    | 08201089           | WINCHLINE VENTURI SET (1/4 - 3/8) AVAILABLE  |            |
| 15                                    | 08201090           | WINCHLINE VENTURI SET (7/8) AVAILABLE        |            |
| 16                                    | 08764001           | BODY COUPLING                                | 2          |
| 17                                    | 08764006           | SPEED BALL HANDLE (M10-1.50 THREADS)         | 1          |

## Condux Control Valve Assembly P/N 08209300



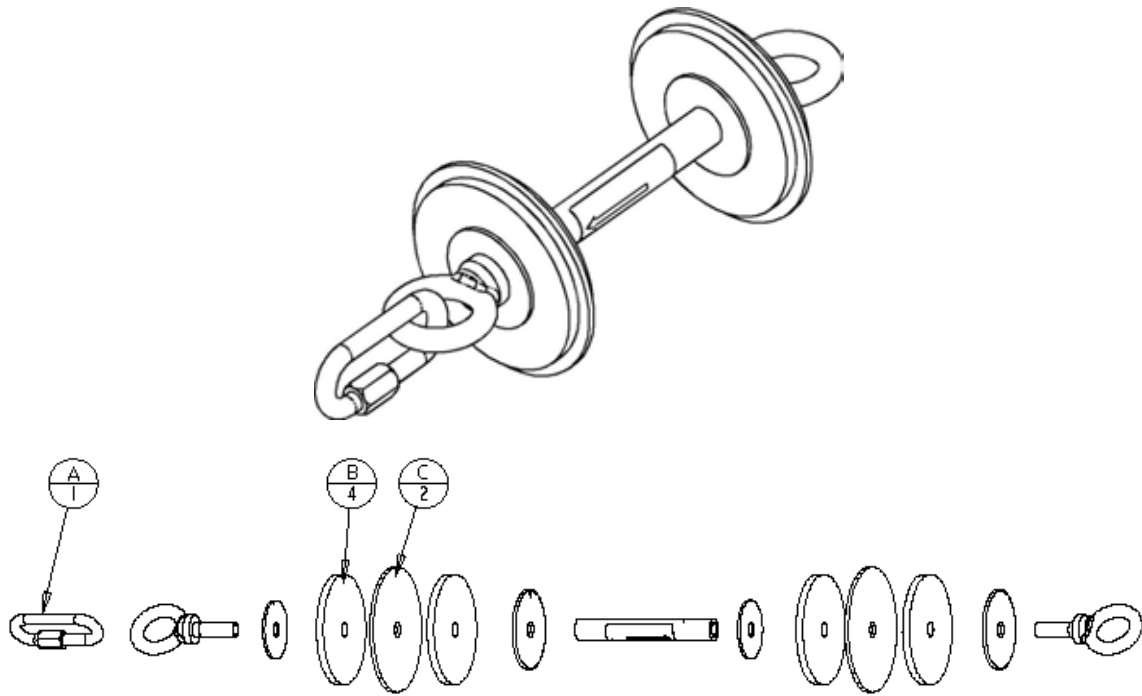
| ITEM | PART NUMBER | DESCRIPTION                                     | QTY |
|------|-------------|---|-----|
| 1    | 02047800    | 3/4NPT-F 90DEG ELBOW FITTING                    | 2   |
| 2    | 02129710    | SAFETY CLIP                                     | 1   |
| 3    | 02222100    | 3/4NPT-M x 3/4NPT-M PIPE NIPPLE FITTING-1 1/2LG | 1   |
| 4    | 02222200    | 3/4NPT-M x 3/4NPT-M PIPE NIPPLE FITTING-2 1/2LG | 2   |
| 5    | 02222300    | 3/4NPT-F CROSS FITTING                          | 1   |
| 6    | 02222400    | 3/4NPT-M x 1/2NPT-F REDUCER BUSHING FITTING     | 1   |
| 7    | 02222500    | 3/4NPT-M x 1/4NPT-F REDUCER BUSHING FITTING     | 1   |
| 8    | 02222700    | 160PSI GAUGE - 1/4NPT-M BOTTOM MOUNT            | 1   |
| 9    | 02288876    | LANYARD-SAFETY CLIP                             | 1   |
| 10   | 02289278    | CLAW COUPLING 3/4NPT-F                          | 1   |
| 11   | 02290022    | 90PSI POP-OFF VALVE - 1/2NPT-M                  | 1   |
| 12   | 02290030    | 3/4NPT-M x 3/4NPT-M PIPE NIPPLE FITTING-4 LG    | 1   |
| 13   | 07009700    | BALL VALVE 3/4NPT-F                             | 1   |
| 14   | 07022000    | MALE LOCKING COUPLER - 3/4NPT-M                 | 1   |

## Condux Air Hose Assembly P/N 08209310



| ITEM | PART NUMBER | DESCRIPTION                                 |
|------|-------------|---|
| 1    | 07022100    | FEMALE LOCKING COUPLER - 3/4NPT-F           |
| 2    | 08209311    | 300PSI AIR HOSE x 25FT - 3/4NPT-M BOTH ENDS |

## Condux Conduit Missile Wear/Replacement Parts



| <u>Conduit Missile</u> | <u>Conduit Range</u><br><u>In (mm)</u> | <u>Replacement Item A</u> | <u>Wear Item B</u> | <u>Wear Item C</u> |
|------------------------|--|---------------------------|--------------------|--------------------|
| 08203920               | 3.83(97)-<br>4.17(106)                 | 08581237                  | 08209128           | 08209108           |
| 08204020               | 4.03(102)-<br>4.32(110)                | 08581237                  | 08209129           | 08209109           |
| 08204920               | 4.81(122)-<br>5.05(128)                | 08581237                  | 08209130           | 08209110           |
| 08205020               | 5.05(128)-<br>5.34(141)                | 08581237                  | 08209131           | 08209111           |
| 08205920               | 5.76(146)-<br>6.07(154)                | 08581237                  | 08209132           | 08209112           |
| 08206020               | 6.07(154)-<br>6.36(161)                | 08581237                  | 08209133           | 08209113           |

## Accessories

### Threaded Adapters

| PART NUMBER | DESCRIPTION                      |
|-------------|----------------------------------|
| 08201108    | WINCHLINE DUCT ADAPTER - 3/4IN   |
| 08201110    | WINCHLINE DUCT ADAPTER - 1IN     |
| 08201112    | WINCHLINE DUCT ADAPTER - 1 1/4IN |
| 08201115    | WINCHLINE DUCT ADAPTER - 1 1/2IN |
| 08201020    | WINCHLINE DUCT ADAPTER - 2IN     |
| 08201025    | WINCHLINE DUCT ADAPTER - 2 1/2IN |
| 08201030    | WINCHLINE DUCT ADAPTER - 3IN     |
| 08201035    | WINCHLINE DUCT ADAPTER - 3 1/2IN |
| 08201041    | WINCHLINE,DUCT ADAPTER - 4IN     |
| 08201051    | WINCHLINE,DUCT ADAPTER - 5IN     |
| 08201061    | WINCHLINE,DUCT ADAPTER - 6IN     |

### Rope Venturi's

| PART NO. | DESCRIPTION                                 |
|----------|---|
| 08201086 | WINCHLINE VENTURI SET (1/2 - 9/16) INCLUDED |
| 08201089 | WINCHLINE VENTURI SET (1/4 - 3/8) AVAILABLE |
| 08201090 | WINCHLINE VENTURI SET (7/8) AVAILABLE       |

NOTES:

NOTES:



## **Warranty Information**

### **A. FACTORY ASSISTANCE**

Condux International Inc. can provide further advice regarding any problems with the installation, service, assembly, or disassembly of the Winch Line Blower. Call toll free at 1-800-533-2077 (USA and Canada) or 1-507-387-6576 and ask for assistance. The Winch Line Blower can be returned to the factory at any time for service or repair; however, a Return Material Authorization (RMA) must be obtained from Condux before shipping. Condux will not accept returned items without an RMA.

### **B. LIMITED WARRANTY**

Condux International Inc. extends the following warranty to the original purchaser of these goods for use, subject to the qualifications indicated: Condux International Inc. warrants to the original purchaser for the use that the goods or any component thereof manufactured by Condux International Inc. will be free from defects in workmanship for the period of one year from the date of purchase. Provided such goods are installed, maintained, and used in accordance with Condux's written instructions.

**Lack of routine maintenance as specified in the maintenance sections of the User's Guide will void the warranty.**

Components not manufactured by Condux International Inc. but used within the assembly provided by Condux International Inc. are subject to the warranty period as specified by the individual manufacturer of said component, provided such goods are installed, maintained, and used in accordance with Condux's and the original manufacturer's written instructions.

**Listed wear parts as called out in the User's Guide are not covered under the warranty.**

Condux's sole liability and the purchaser's sole remedy for a failure of goods under this limited warranty, and for any and all claims arising from the purchase and use of the goods, shall be limited to the repair and replacement of the goods that do not conform to this warranty.

To obtain repair or replacement service under the limited warranty, the purchaser must contact the factory for a Return Material Authorization (RMA). Once obtained, send the RMA along with the defective part or goods, transportation prepaid, to:

Condux International Inc.  
145 Kingswood Drive  
Mankato, MN 56001 USA

**THERE ARE NO EXPRESS WARRANTIES COVERING THESE GOODS OTHER THAN AS SET FORTH ABOVE. THE IMPLIED WARRANTIES OR MERCHANTABILITY AND FITNESS FOR PARTICULAR PURPOSE ARE LIMITED IN DURATION TO ONE YEAR FROM DATE OF PURCHASE.**

**CONDEX ASSUMES NO LIABILITY IN CONNECTION WITH THE INSTALLATION OR USE OF THIS PRODUCT, EXCEPT AS STATED IN THESE LIMITED WARRANTY. CONDEX WILL IN NO EVENT BE LIABLE FOR INCIDENTAL OR CONSEQUENTIAL DAMAGES.**



**CONDUX INTERNATIONAL, INC.**

---

P.O. Box 247 • 145 Kingswood Drive, Mankato, MN 56002-0247 USA  
1-507-387-6576 • 1-800-533-2077 • FAX 1-507-387-1442  
Internet: <http://www.condux.com> • e-mail: [cndxinfo@condux.com](mailto:cndxinfo@condux.com)

© Copyright 2012, Condux International, Inc.  
Printed in USA  
Literature Part Number: 08201098  
Revision Number: 1.1