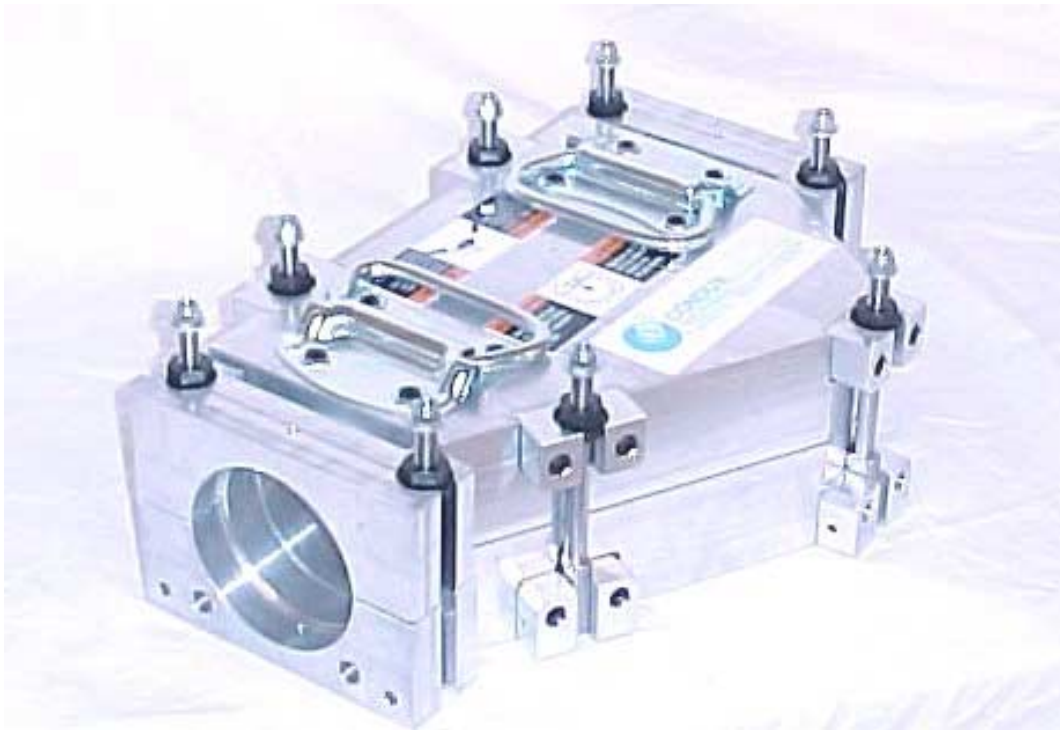


Y-Block



ISO 9001
CERTIFIED



Important Safety Notice

Read and understand all procedures and safety instructions before using a Condux Y-Block. Observe all safety information on this page and note specific safety requirements as explained by procedures in this manual. Failure to follow these instructions could result in serious personal injury or death.

ADVERTENCIA

Favor de leer y comprender todas las instrucciones de operación y seguridad antes de usar la máquina. Si Ud. No comprende las instrucciones favor de consultarle a su jefe.



Save this user's guide for future reference

COMMUNICATIONS WITH THE MANUFACTURER

For information related to the machine (use, maintenance, spare parts) always-state model number, manufacturing Year and Order. This date can be found on the parts identification label

Manufacturer:
Condux International, Inc.
145 Kingswood Road
Mankato, MN 56002-0247
1-507-387-6576
Fax 1-507-387-1442
E-mail: cdxinfo@condux.com



If you have questions on:

Safety – Operations – Applications

Call 1-800-533-2077

Table of Contents

General Information.....	Page 4
Y-Block Set Up	Page 5 – 9
Y-Block Orientation.....	Page 8
Y-Block Parts Breakdown.....	Page 9
Y-Block Duct Pack Selection Chart.....	Page 10
Recommended Blowing Lubricant.....	Page 10
Replacement Parts & Accessories.....	Page 11

General Information

1.

General Product Use

- a. Only qualified operators should use this product. The operator should only be the person who received qualified training from the product owning company or trained by the manufacturer.
- b. Product must only be used for the work it was designed for.
- c. Product is not to be used with unauthorized personnel on the job site
- d. Should there be any doubt concerning use, functioning, maintenance or anything else, please contact the factory or factory representative.

Operator Qualifications

- a. Operator must know the required safety directives to run the product that are pertinent to the country where it is being used.
- b. Operator in charge of the product and installation project must be appropriately dressed, avoiding large clothes, hanging jewelry or whatever might become entangled in the moving parts
- c. Operator must also wear the necessary protective equipment such as gloves, boots, helmet, etc.
- d. Operator must carefully follow all advisements contained in the instruction manual or on the machine
- e. Operator must have work area kept clean of obstacles that might inhibit a safe working area.

Maintenance Qualification

- a. Periodically inspect product for wear and tear.
- b. Authorized and trained personnel must do all maintenance operations. Trained personnel are defined as people who have received qualified training from the using company or from the manufacturer

Set Up the Y-Block

2.

1. Loosen the 8 nuts on the Y-Block assembly (Figure 1). Remove Innerduct Clamp (Figure 2) and Air Block Cover (Figure 3).



Figure 1 Loosen Nuts



Figure 2 Remove Duct Clamps



Figure 3 Remove Air Block Cover

1. Select the correct Condux Duct Components according to the innerduct size. Refer to the Duct Selection Chart on Page 10
2. Choose the correct Innerduct Seal and install both halves securely. Use the provided 3/32-inch hex wrench (Figure 4).
3. Choose the correct Conduit Clamp and install both halves (same color as the conduit seal). Use the provided 3/32-inch hex wrench (Figure 5).



Figure 4 Inseart Duct Clamps



Figure 5 Insert Duct Seals

5. Place innerduct in the Innerduct Seal and Innerduct Clamp on both the enter and exit side of the Y-Block. Note placement up to ridge on Innerduct Seal (Figure 6). Make sure lay static cable in the Y-Branch of the Y-Block as seen in Figure 6.
6. Clamp Innerduct in place (See Figure 7).



Figure 6 Insert Duct



Figure 7 Clamp Innerduct

7. Choose correct Cable Seal and install around cable (Figure 8) and push into the provided slot, split side down (Figure 9).
8. Hand push cable to be installed from the blower into the Y-Block (Figure 10)



Figure 8 Install Cable Seal



Figure 9 Install Cable Seal in Slot



Figure 10 Hand Push Cable into Y-Block

9. Install Air Block Cover and Secure (Figure 11) Tighten bolts securely, but do not over tighten. Use a cross tightening procedure with the hold down bolts.
Note: Figure 12 shows a correctly sealed Condux Y-Block



Figure 11 Install Air Block Cover



Figure 12 Sealed Y-Block



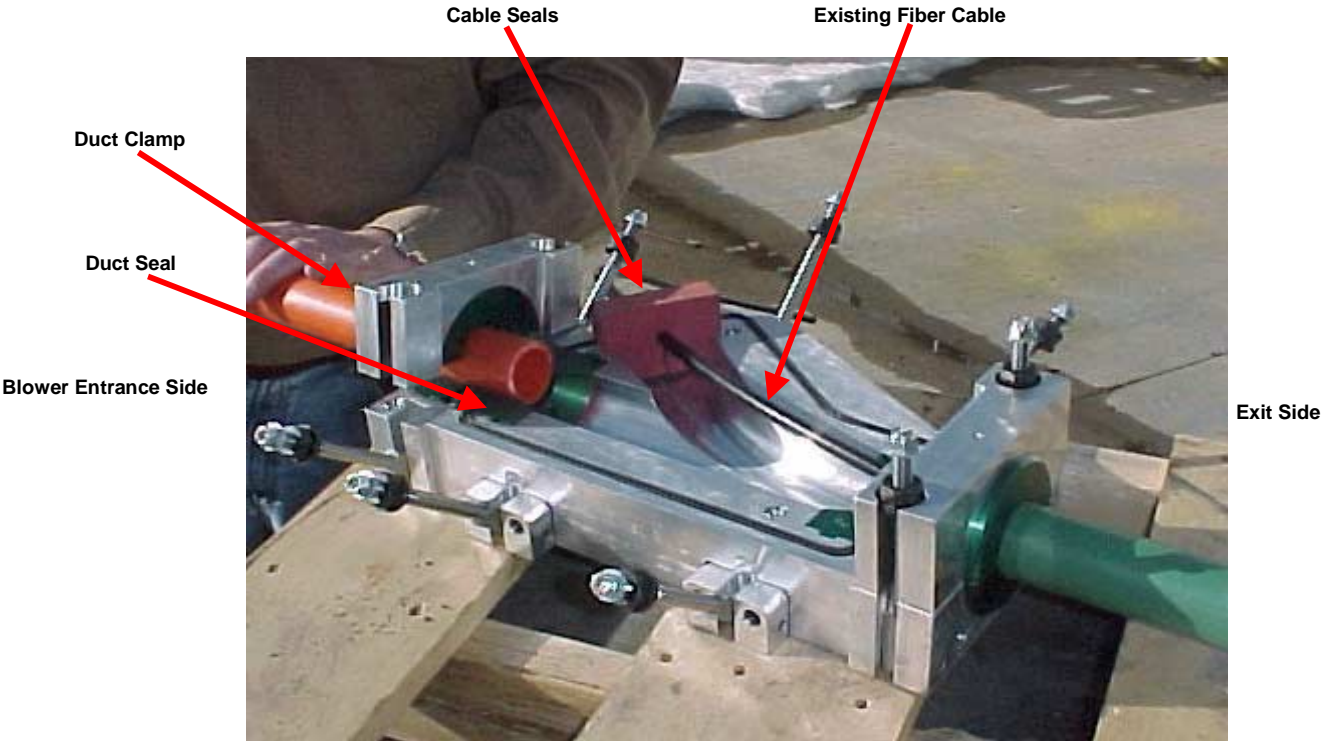
!WARNING: Forced air creates flying debris. Always wear personnel protective equipment. Severe personnel injury could result.

!WARNING: Ensure no personnel are in the destination access vault during the blowing operation. Severe personal injury could result.

!WARNING: Y-Block Assembly contains compressed air when blower is operated. Opening the Y-Block while under pressure may cause serious personal injury. Ensure blower is depressurized before removing Y-Block Cover.

Y-Block Orientation

3.



Y-Block Parts Breakdown

5.

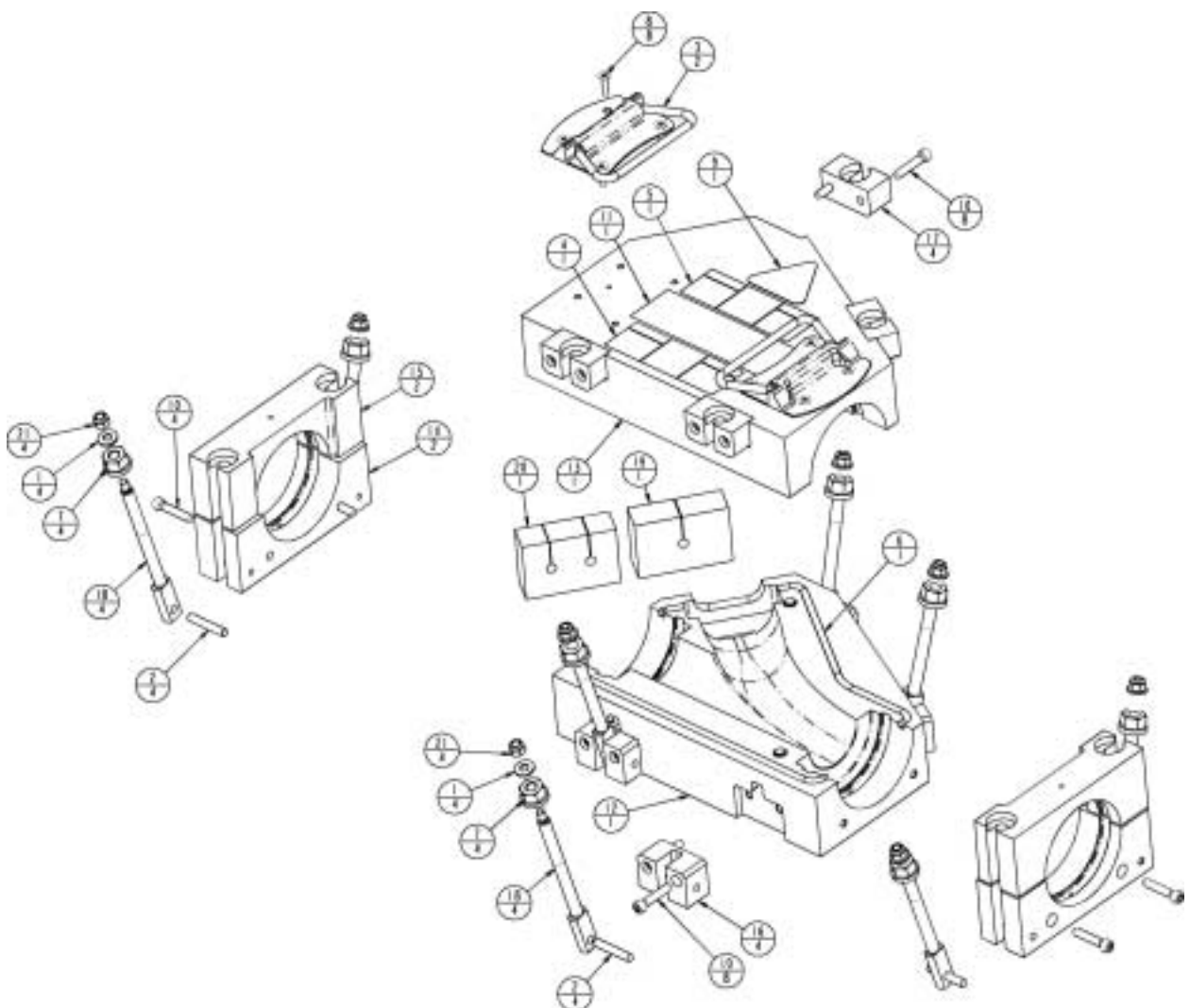


Figure 1 - Condux Y-Block Parts Breakdown

ITEM	PART NUMBER	DESCRIPTION	QTY
1		FLATWSHR 0.25 TYPEA-NARR ST CZ	8
2	02228100	PIN,DOWEL 0.250 DIA-1.500 LONG	8
3	02241900	HANDLE,FLDNG-2.25HGH-4.25LG-CZ	2
4	02269734	LABEL,WARNING-AIR SPLY 1.5X4.5	1
5	02269737	LABEL,WARNING-I35 MAX 1.5X4.5	1
6		QUAD-RING,.210CS CORDSTOCK X 30.88 (SEE KIT 08761443)	1
7		NUT 0.37-16 HEX SWIVEL FLANGE	8
8	02288362	CAPSRW #10-32X0.75 CSSTALY PL	8
9	02288894	LABEL,ISO WARNING-HOT SURFACE	1
10	02289161	CAPSRW 0.25-28X1.25 SHSTALY PL	20
11	08089753	LABEL,CONDUX 1.75 X 5.50 WHITE	1
12	08761856	Y-BLOCK BODY - LOWER	1
13	08761857	Y-BLOCK BODY - UPPER	1
14		BLOCK,LOWER CLAMP/SEAL-YBLK (SEE KIT 08761891)	2
15		BLOCK,UPPER CLAMP/SEAL-YBLK (SEE KIT 08761891)	2
16		BLOCK,SWING BOLT PIVOT-LOWER (SEE KIT 08761889)	4
17		BLOCK,SWING BOLT CLAMP-UPPER (SEE KIT 08761890)	4
18		BOLT,CLAMP Y-BLOCK (SEE KIT 08761888)	8
19		BLOCK,CABLE SEAL RUBBER SM SGL (SEE KIT 08761892)	1
20		BLOCK,CABLE SEAL RUBBER LG DBL (SEE KIT 08761893)	1
21		NUT 0.25-20 NYLOC ST GR2 CZ	8
REPAIR KITS			
	08761443	KIT,SEAL REPLACEMENT-FO BLOWER-INCLUDES ITEM 6	
	08761888	KIT,CLAMP BOLT REPAIR -INCLUDES ITEMS 1 (1), 2 (1), 7 (1), 18 (1), 21 (1)	
	08761889	KIT,CLAMP BOLT BRKT LOWER -INCLUDES ITEMS 10 (2) AND 16 (1)	
	08761890	KIT,CLAMP BOLT BRKT UPPER -INCLUDES ITEMS 10 (2) AND 17 (1)	
	08761891	KIT,CLAMP BLOCK -INCLUDES ITEMS 1 (2), 2 (2), 7 (2), 10 (2), 14 (1), 15 (1), 18 (2), 21 (2)	
	08761892	KIT,CABLE SEAL - SINGLE	
	08761893	KIT,CABLE SEAL - DOUBLE	

Y-Block Duct Pack Selection Chart

Part Number	Description		Duct OD
08761386	DUCT PK,Y-BLOCK	1.315 (33.4)	1.315
08761387	DUCT PK,Y-BLOCK	1.660 (42.2)	1.660
08761388	DUCT PK,Y-BLOCK	1.900 (48.3)	1.900
08761389	DUCT PK,Y-BLOCK	2.375 (60.3)	2.375

Recommended Blowing Lubricants

Polywater® Prelube 2000™

Specially formulated for use with fiber optic cable blowing systems, Polywater® Prelube 2000™ has been field proven with the Deluxe LW Blower. This lubricant is a special lubricant used to prelubricate the conduit system before installing the cable. Prelube 2000™ is compatible with all types of cable jackets and conduit types.



Part Number	Description	Std Pkg Qty
08230600	1 Quart (.9 liter) Squeeze Bottle	12/case
08230601	1 Gallon (3.8 liter) Jug	4/case
08230900	1 Quart (.9 liter) Squeeze Bottle Winter Grade	12/case
08230901	1 Gallon (3.8 liter) Jug Winter Grade	4/case

Polywater® Prelube 2000™ recommended usage quantity

Duct Size	Lubricant Quantity	
	Per 1,000 Feet	Per Kilometer
1 inch	3 fl. oz.	300 ml
1.25 inch	4 fl. oz.	400 ml
1.5 inch	5 fl. oz.	500 ml
2 inch	6 fl. oz.	600 ml

Replacement Parts & Accessories

Cable Jacket Slitter

This popular tool makes quick, safe work of removing sheath and turnplate from communication cables. With a turn of the handle, the toothed wheel pulls the tool forward while the angled blade makes a clean cut. Blade guard protects conductors from damage. Also excellent for slitting innerduct. Minimum cable diameter 1" (25mm)

<u>Part Number</u>	<u>Description</u>
--------------------	--------------------

08012900	Cable Jacket Slitter
08012901	Replacement Blade



Triple Shuttles

These unique, flexible shuttles in a triple parachute configuration make installing rope, pull tape or fiber cable in occupied duct a breeze.

<u>Part Number</u>	<u>Description</u>
--------------------	--------------------

08761868	SHUTTLE,CABLE 1.00/1.25 DUCT
08761869	SHUTTLE,CABLE 1.50/2.00 DUCT



PVC & Polyethylene Cutter

Razor sharp cutting blade makes a fast, clean, burr-free cut in PVC and polyethylene. Ratcheting handle provides for secure, steady cutting action, Reduces cutting and preparation time.

<u>Part Number</u>	<u>Description</u>
--------------------	--------------------

08948050	Small diameter-upto 1-1/4" (32mm) conduit with 1-1/2" (38mm) OD
08948060	Large diameter-upto 2" (51mm) conduit with 2-3/8" (60mm) OD
08948051	Replacement Blade Small Cutter
08948061	Replacement Blade Large Cutter



Warranty Information

Condux International, Incorporated extends the following warranty to the original purchaser of these goods for use, subject to the qualifications indicated:

Condux International, Incorporated warrants to the original purchaser for use that the goods or any component thereof manufactured by Condux International will be free from defects in workmanship for a period of 1 year from the date of purchase, provided such goods are installed, maintained, and used in accordance with Condux's written instructions.

Components not manufactured by Condux International but used within the assembly provided by Condux International are subject to the warranty period as specified by the individual manufacturer of said component, provided such goods are installed, maintained, and used in accordance with Condux's and the original manufacturer's written instructions.

Condux's sole liability and the purchaser's sole remedy for a failure of goods under this limited warranty, and for any and all claims arising out of the purchase and use of goods, shall be limited to the repair or replacement of the goods that do not conform to this warranty.

To obtain repair or replacement service under the limited warranty, the purchaser must contact the factory for a Return Material Authorization (RMA). Once obtained, send the RMA along with the defective part or goods, transportation prepaid, to:

Condux International, Inc.
145 Kingswood Road
Mankato, MN 56001 USA

THERE ARE NO EXPRESS WARRANTIES COVERING THESE GOODS OTHER THAN AS SET FORTH ABOVE. THE IMPLIED WARRANTIES OF MERCHANTABILITY AND FITNESS FOR PARTICULAR PURPOSE ARE LIMITED IN DURATION TO ONE YEAR FROM DATE OF PURCHASE

CONDUX ASSUMES NO LIABILITY IN CONNECTION WITH THE INSTALLATION OR USE OF THIS PRODUCT, EXCEPT AS STATED IN THIS LIMITED WARRANTY, CONDUX WILL IN NO EVENT BE LIABLE FOR INCIDENTAL OR CONSEQUENTIAL DAMAGES



Condux International, Inc.

P.O. Box 247 • 145 Kingswood Road
Mankato, MN 56002-0247 USA
1-507-387-6576 • FAX 1-507-387-1442
<http://www.condux.com>

**ISO 9001
CERTIFIED**

©Copyright 2005, Condux International, Inc.
Printed in USA
Literature Part Number 08761899
Revision Number 1.0