

USER'S GUIDE & SAFETY MANUAL

Mini-Blower/Pusher



CONDUX

ISO 9001:2008
CERTIFIED

Important Safety Notice

Read and understand all procedures and safety instructions before using the Mini-Blower/Pusher. Observe all safety information on this page and note specific safety requirements as explained by procedures in this manual. Failure to follow these instructions could result in serious personal injury or death.

ADVERTENCIA:

Favor de leer y comprender todas las instrucciones de operación y seguridad antes de usar la máquina. Si Ud. no comprende las instrucciones favor de consultarle a su jefe.



Save this user's guide for future reference.

COMMUNICATIONS WITH THE MANUFACTURER

For any information related to the machine (use, maintenance, spare parts) always state Model, Serial Number, Manufacturing Year and Order. This data can be found in the machine identification table.

Manufacturer:

Condux International Inc.
145 Kingswood Drive
Mankato, MN 56002-0247
1-507-387-6576
Fax 1-507-387-1442
Internet: <http://www.condux.com>
E-mail: cndxinfo@condux.com



If you have questions on:

SAFETY - OPERATIONS - APPLICATIONS

CALL 1-800-533-2077

Table of Contents

1	General Information	4
2	Technical Specifications	5
	A. Air Compressor Requirements	5
	B. Operational Capacities	5
	C. Physical Specifications	5
3	Safe Operating Procedures	6
	A. Work Area Safety	6
	B. Pneumatic Devices	6
4	Unpacking the Blower	6
	A. Blower Components	6
5	Set Up the Blower/Pusher	7
	A. Mounting the Blower/Pusher to Tripod	7
	B. Configure the Blower/Pusher	7
6	Blower/Pusher Operating Instructions	9
	A. Final Connections	9
	B. Operations	10
7	Appendixes	12
	A. Charts	12
	B. Duct Rod Pusher	14
	C. Blower/Pusher Assembly	16
	D. Mini-Blower Assembly	17
	E. Clamp Adjustment Screw	18
	F. Mount Clamp Assembly	19
	G. Clamp Roller Assembly	19

General Information

1.

The operating instructions contain a full description of the Condux Mini-Blower/ Pusher, which has been designed for the purpose of feeding fiber optic cable through round conduits of uniform cross section. The conduit must previously have been installed underground or overhead to receive the fiber optic cable and must be of sufficient length on exit to be received by the machine. The conduit must be made of material with sufficient compression strength for it to be adequately sealed in the exit of a machine.

The fiber optic cable is continuously pushed into the conduit by a roller drive powered by a cordless, corded or pneumatic drill. The exit of the machine consists of an air box that is made in two halves that clamp together. The air box contains special removable seals on entry and exit, which clamp around either the end of the conduit or the fiber optic cable to be fed into the conduit. The seals can be changed to accommodate different conduit and fiber optic cable sizes. The conduit is clamped between a pair of seals at the entrance to the air block.

A clamp located in front of the entrance to the air block holds the conduit mechanically to prevent it from moving axially. The fiber optic cable enters through two seals located in an aluminum nozzle that splits in half. The aluminum nozzle is located in the entrance to the air box and is shaped to ensure an airtight seal around the fiber optic cable. When the two halves of the air box are closed, air pressure is admitted into the space between the seals on entry and exit.

The use of the Mini-Blower/Pusher for operations different from those discussed in this manual are considered extremely dangerous and thus forbidden. The non-respect for the prescribed restraints of the machine causes a situation of improper use and relieves the manufacturer from any responsibility, civil or penal. The manufacturer's responsibility declines even when one of the following happens:

- a. The consequences caused by tampering and/or modifications carried out without the manufacturer's written acceptance.
- b. The use of imitative spare parts.
- c. Bad maintenance.
- d. Use with disconnected safety devices.
- e. The connection to machine and/or parts not produced and not directly authorized by the manufacturer in a written acceptance.

The Condux Mini-Blower/Pusher is a unique device for inserting fiber optic cable directly into conduit. The unit is comprised of an air block and a roller drive that, when combined with an air compressor and a drill drive force, will propel fiber optic cable measuring from .23" to .50" (5.8 mm to 12.7 mm) into an unobstructed, unoccupied, airtight conduit.

GENERAL MACHINE USE

- a. Only qualified operators should use the machine. The operator should only be the person who received qualified training from the product owning company or trained by the manufacturer.
- b. Machine must only be used for the work it was designed for.
- c. Machine is not to be used with unauthorized personnel on the job site.
- d. Should there be any doubt concerning use, functioning, maintenance or anything else, please contact the factory or factory representative.

OPERATOR QUALIFICATIONS

- a. Operator must know the required safety directives to run the machine that are pertinent to the country where it is being used.
- b. Operator in charge of the machine and installation project must be appropriately dressed, avoiding large clothes, hanging jewelry or whatever might become entangled in the moving parts.
- c. Operator must also wear the necessary protective equipment such as gloves, boots, helmet, etc.
- d. Operator must carefully follow all advisements contained in the instruction manual or on the machine.
- e. Operator must have work area kept clean of obstacles that might inhibit a safe working area.

MAINTENANCE QUALIFICATION

- a. All of the machine maintenance must be carried out with the machine on a level surface and not attached to any form of power source: electrical, or pneumatic.
- b. Authorized and trained personnel must do all maintenance operations. Trained personnel are defined as people who have received qualified training from the using company or from the manufacturer.

Technical Information

A. AIR COMPRESSOR REQUIREMENTS

Pneumatic Pressure: 120 PSI (8 BAR) Recommended

Required Flow Capacity: 185 SCFM (5.2 M3/MIN) MAXIMUM

Conduit Size: 10 MM – 1.50" OD

Air hose fittings need to be compatible with Dixon "Air King" universal couplings

B. OPERATIONAL CAPACITIES

- Cable sizes: .25" TO .50" (5.8 MM TO 12.7 MM)
- Conduit size: 1", 1-1/4" TRUE, 1-1/4", 1-1/2" SDR 11 & 13.5 AND METRIC O.D. CONDUIT; 10 MM to 50 MM

C. PHYSICAL SPECIFICATIONS (DOES NOT INCLUDE TRIPOD OR JOB BOX)

- Height 12"
- Length 14"
- Width 8"
- Weight 17 lbs



2.

Safe Operating Practices

3.

Read and understand all procedures and safety instructions before using the Condux Mini-Blower/Pusher. Observe all safety information on this page and note specific safety requirements as explained by procedures called out in this manual. Failure to follow these instructions could result in serious personal injury, property damage or death.

A. WORK AREA SAFETY

1. Wear personal protective equipment: hard hat, safety glasses, safety shoes, and leather work gloves.
2. The safe operation of this equipment requires that the operators be on stable footing.
3. Stay clear of cables or lines under tension.
4. Stay clear of pressurized line and conduit.
5. Stay out of manhole while blower is in use.
6. Use the blower only for its intended purpose.
7. Do not place cable reel too close to unit. Place the reel far enough away from the unit to ensure proper control.
8. Do not tamper with relief valves or pressure reducing valves.
9. Keep hands away from roller drive while blower is in operation.

B. PNEUMATIC DEVICES

The Condux Mini-Blower/Pusher is a pneumatic device, using pressurized air to project cable at high velocities. Please observe the following precautions when operating the blower:

1. Forced air creates flying debris. Always wear personal protective equipment. Severe personal injury could result.
2. Ensure no personnel are in the destination access vault during the blowing operation. Severe personal injury could result.

Unpacking the Blower

4.

A. BLOWER COMPONENTS

Each Mini-Blower/Pusher Package contains the following items.

COMMON PARTS PACKAGE:

Part No	Description
02290168	Hex key set metric and standard
08783076	Seal replacement kit
08780223	Venturi Plug
08780424	Capscrew set (m04-0.7 x 16)

Actual parts:
08081315 – blower assy
08081301 – pusher assy

NOTE: If any parts are missing: please contact your Condux representative or call Condux International at 1-800-533-2077 (USA or CANADA), or 1-507-387-6576.

Set Up the Blower/Pusher

A. MOUNTING THE BLOWER/PUSHER TO TRIPOD (OPTIONAL)

NOTE: The Mini-Blower/Pusher can be operated without optional surveyor's style tripod. If using the unit without the tripod, move to step B.

1. Loosen and remove tripod mounting nut. (See figure 1)
2. Place Mini-Blower Drive assembly on tripod so that the mounting bolt extends through the receiving in the base of the unit. Orient assembly as necessary.
3. Secure drive assembly to tripod by replacing and tightening the mounting nut. (See figure 2)

5.



Figure 1. Mount Unit on Tripod

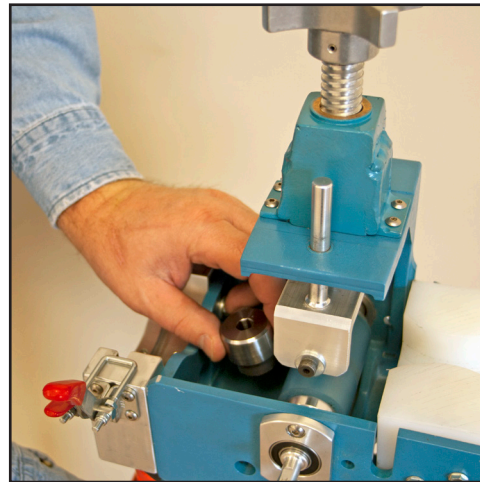


Figure 2. Mount Pusher Base on Tripod

B. CONFIGURE THE BLOWER/PUSHER

1. Attach the blower assembly into the drive assembly. Match up the ridge on the blower assembly with the corresponding groove on the mounting block portion of the drive assembly.

2. Once in place, secure the Blower Assembly to Drive Assembly using (2) #10-24 x 1 1/2" Capscrews. (See figure 3)
3. Select and install the appropriate sized Duct Clamp and Duct Seal to the Blower Assembly using (1) M04-0.7 x 16mm Capscrew for each. (See figure 4)

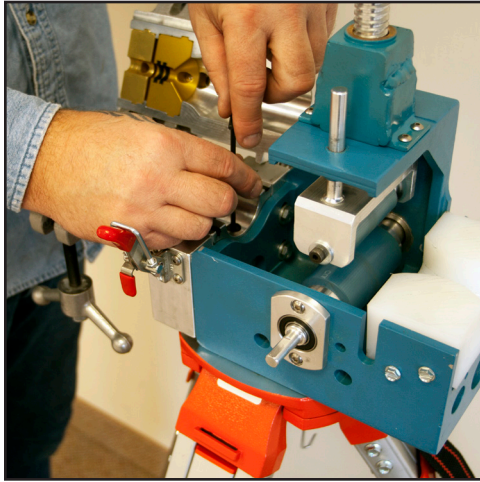


Figure 3. Mount Blower

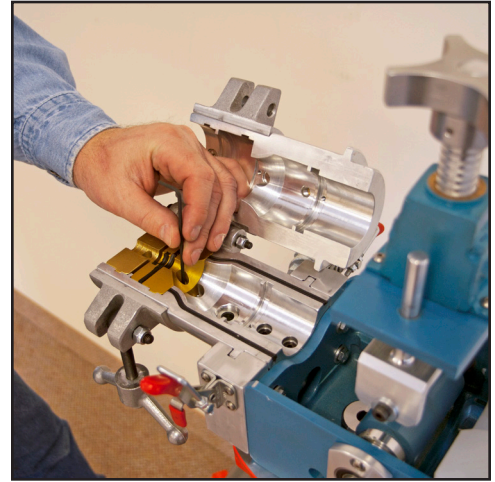


Figure 4. Select & Install Duct Packs

4. Select and install the appropriate sized Venturi to the Blower Assembly using (1) M04-0.7 x 16mm Capscrew. (See figure 5)
5. Install the duct. (See figure 6)

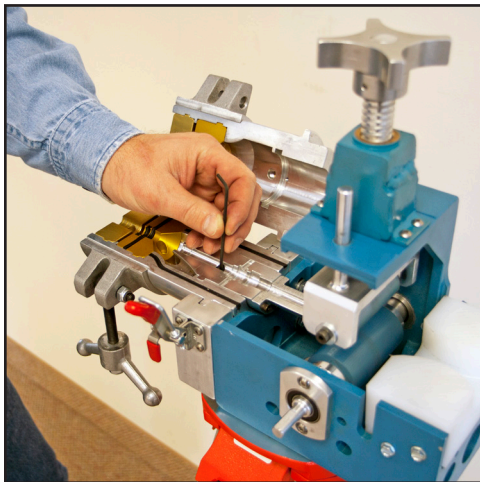


Figure 5. Select and Install Bottom Venturi

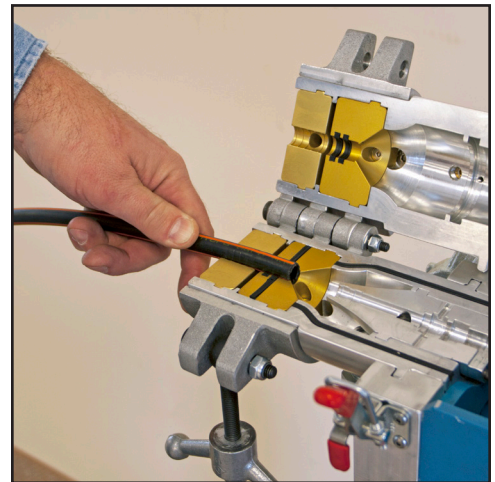


Figure 6. Install Duct

6. Load cable through drive assembly. Select and install the appropriate size cable seals for the specific project. (See figure 7)

7. Install top venturi. (See figure 8)

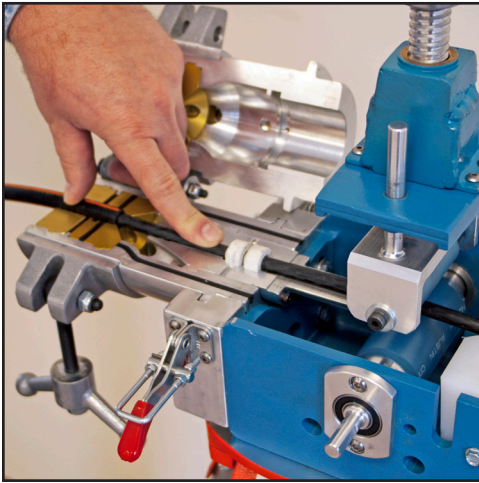


Figure 7. Select & Install Seals

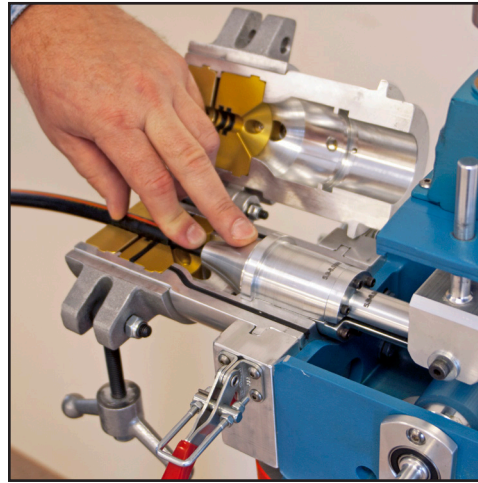


Figure 8. Install Top Venturi

Blower/Pusher Operating Instructions

A. FINAL CONNECTIONS

1. Secure the blower assembly by closing the hinged top and tightening the blower clamp. (See figure 9)
2. Secure drive assembly by closing and locking the back clamp with locking clip. (See figure 10)
3. Adjust down pressure on cable by tightening the spring tensioned down pressure

6.

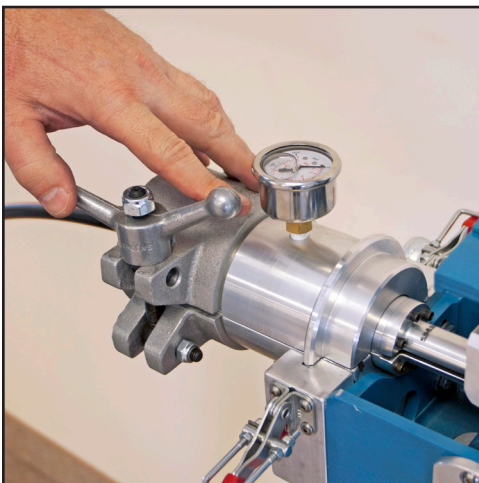


Figure 9. Tighten Blower Clamp

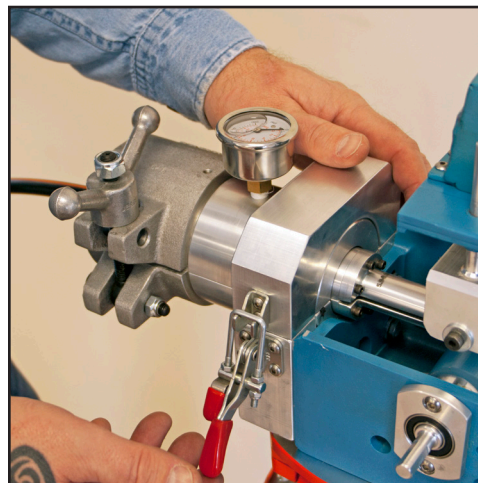


Figure 10. Install Back Clamp

adjustment to ensure positive contact with drive roller. (See figure 11)

4. Connect the air hose to the blower utilizing the universal claw type connector. (See figure 12) Connect hose to air compressor follow specific manufacturer's instructions.

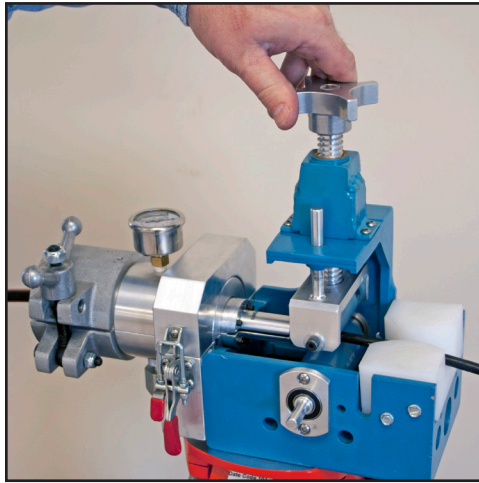


Figure 11. Adjust Pusher Down Pressure



Figure 12. Connect Air



!WARNING: Forced air creates flying debris. Always wear personal protective equipment. Severe personal injury could result.

!WARNING: Ensure no personnel are in the destination access vault during the blowing operation. Severe personal injury could result.

B. OPERATIONS

1. Select the drive system and connect utilizing the drive stem. (See figure 13)

Important: Make sure drive system is oriented to turn the drive roller in the proper direction.

Note: It is not recommended to run corded or cordless drills in reverse for extend periods of time.



Figure 13. Select Drive

2. Gradually, open air control valve to engage air pressure. (See figure 14)

3. Engage drive system. Install fiber optic cable. (See figure 15)



Figure 14. Engage Air



Figure 15. Engage Drive

Blower/Pusher Charts

A.

APPENDIX

MICRO DUCT PACKS

Duct Size OD (MM)	Part Number	Duct Clamp	Duct Seal	INNERDUCT EYE	
				ID Range	Part Number
10	08764140	08764142	08764143	5-9 mm	08913547
12	08764110	08764112	08764113	10-12 mm	08913545
12.7	08764150	08764151	08764153	10-12 mm	08913545
14	08764120	08764122	08764123	10-12 mm	08913545
16	08764130	08764132	08764133	10-12 mm	08913545
18	08781110	08781106	08781101	13-15 mm	08913538
20	08781110	08781106	08781101	13-15 mm	08913538

MINI-BLOWER/PUSHER CABLE PACKS

Pack	CABLE PACK		VENTURI		CABLE SEAL	
	Cable OD	P/N	Cable OD	P/N	Cable OD	P/N
1	0.23-0.34 (5.8-8.8)	08780802 Pack #1	0.23-0.34 (5.8-8.8)	08780803	0.23-0.28 (5.8-7.2)	08780406
					0.29-0.34 (7.3-8.8)	08780407
2	0.35-0.48 (8.9-12.2)	08780804 Pack #2	0.35-0.48 (8.9-12.2)	08780805	0.35-0.42 (8.9-10.7)	08761424
					0.43-0.48 (10.8-12.2)	08761425
3	0.49-0.60 (12.3-15.2)	08780806 Pack #3	0.49-0.60 (12.3-15.2)	08780807	0.49-0.55 (12.3-14.0)	08761426
					0.56-0.60 (14.1-15.2)	08761427
4	(10-12.7)	08780755 Pack #4	Nylatron Venturi for Flat Fiber Optic Cables			

REPLACEMENT CABLE PACKS

PACK	CABLE PACK		VENTURI		CABLE SEAL		CABLE GRIP	
	Cable OD	P/N	Cable OD	P/N	Cable OD	P/N	Cable OD	P/N
1	0.23-0.34 (5.8-8.8)	08780393 Pack #1	0.23-0.34 (5.8-8.8)	08780281	0.23-0.28 (5.8-7.2)	08780406	0.21-0.35 (5.3-8.9)	08643754 033-29-1194
					0.29-0.34 (7.3-8.8)	08780407		
2	0.35-0.60 (8.9-15.2)	08780394 Pack #2	0.35-0.48 (8.9-12.2)	08780282	0.35-0.42 (8.9-10.7)	08761424	0.32-0.48 (8.1-12.2)	08643755 033-29-1195
					0.43-0.48 (10.8-12.2)	08761425		
			0.49-0.60 (12.3-15.2)	08780283	0.49-0.55 (12.3-14.0)	08761426	0.42-0.61 (10.7-15.5)	08643756 033-29-1196
0.56-0.60 (14.1-15.2)	08761427							
3	0.61-0.85 (15.3-21.6)	08780395 Pack #3	0.61-0.73 (15.3-18.5)	08780284	0.61-0.67 (15.3-17.0)	08761428	0.53-0.74 (13.5-18.8)	08643757 033-29-1197
					0.68-0.73 (17.1-18.5)	08761429		
			0.74-0.85 (18.6-21.6)	08780285	0.74-0.79 (18.6-20.1)	08761430	0.64-0.87 (16.3-22.1)	08643758 033-29-1198
0.80-0.85 (20.2-21.6)	08761431							
4	0.86-1.13 (21.7-28.7)	08780396 Pack #4	0.86-0.97 (21.7-24.6)	08780286	0.86-0.92 (21.7-23.4)	08761432	0.75-1.00 (19.1-25.4)	08643759 033-29-1199
					0.93-0.97 (23.5-24.6)	08761433		
			0.98-1.13 (24.7-28.7)	08780446	0.98-1.04 (24.7-26.4)	08761434	1.00-1.24 (25.4-31.5)	08643137 033-03-013
1.05-1.13 (26.5-28.7)	08761435							

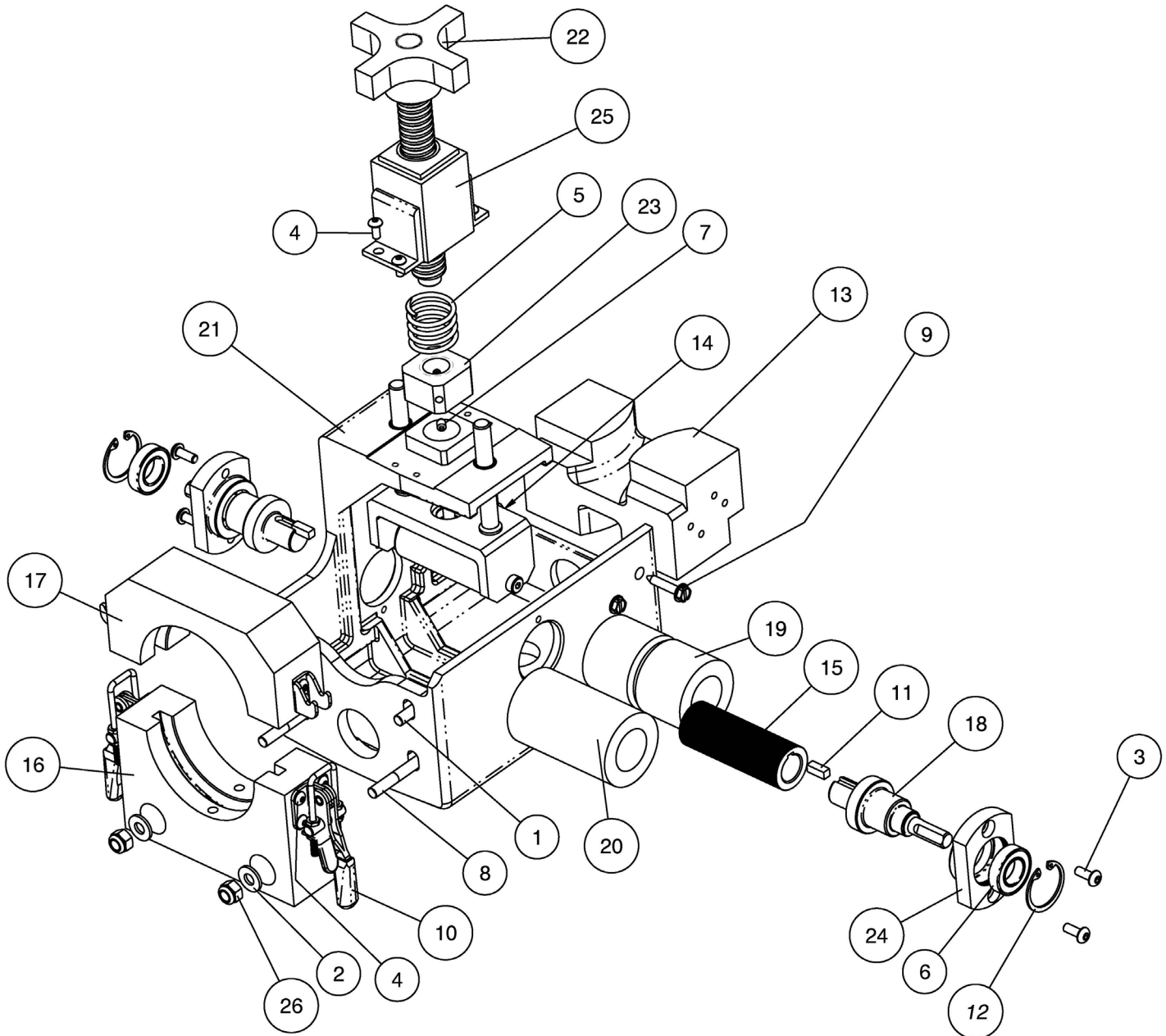
REPLACEMENT DUCT PACKS

PACK	DUCT PACK		DUCT CLAMP		DUCT SEAL		CARRIER		FOAM CARRIER		CABLE GRIP		INNERDUCT EYE
	Duct Size	P/N	Duct OD	P/N	Duct OD	P/N	Carrier	P/N	Carrier OD	P/N	Duct OD	P/N	P/N and ID Range
1	1/2" SDR 11-13.5	08780795 Pack #1	0.84 (21.30)	08780791	0.84 (21.30)	08780786	0.688 (17.50)	08780793	0.75 (19.0)	08078300	.75-.99 (19-25)	08643131 033-03-012	08761840 .78-.87 (20-22)
2	3/4" SDR 11-13.5	08780680 Pack #2	1.050 (26.6)	08780682	1.050 (26.6)	08780685	0.75 (19.0)	08780690	0.75 (19.0)	08078300	1.00-1.24 (25.4-31.5)	08643137 033-03-013	08761840 .71-.89 (18-22)
3	1" SDR 11/13.5	08780386 Pack #3	1.315 (33.4)	08780369	1.315 (33.4)	08780307	1.121 (28.5)	08761250	1.25 (31.8)	08761439	1.00-1.24 (25.4-31.5)	08643137 033-03-013	08761842 1.06-1.43 (27-37)
4	1.25" SDR 11/13.5	08780392 Pack #4	1.660 (42.2)	08780375	1.660 (42.2)	08780051	1.414 (35.9)	08761255	1.50 (38.1)	08761440	1.50-1.99 (38.1-50.5)	08643149 033-03-016	08761842 1.06-1.43 (27-37)
5	1.5" SDR 11/13.5	08780397 Pack #5	1.900 (48.3)	08780404	1.900 (48.3)	08780398	1.618 (41.1)	08761260	1.75 (44.5)	08761441	1.50-1.99 (38.1-50.5)	08643149 033-03-016	08761844 1.37-1.68 (35-43)
6	2" SDR 11/13.5	08780930 Pack #6	---	---	---	---	2.023 (51.4)	08761265	2.00 (50.8)	08761442	2.00-2.49 (50.8-63.2)	08643155 033-03-017	08761844 1.37-1.68 (35-43)
7	25 mm	08780240 Pack #7	0.984 (25.0)	08780099	0.984 (25.0)	08780134	0.787 (20.0)	08780230	1.25 (31.8)	08761439	1.00-1.24 (25.4-31.5)	08643137 033-03-013	08761840 .71-.89 (18-22)
8	32 mm	08780385 Pack #8	1.260 (32.0)	08780368	1.260 (32.0)	08780306	1.063 (27.0)	08761560	1.25 (31.8)	08761439	1.25-1.49 (31.8-37.8)	08643143 033-03-015	08761842 1.06-1.43 (27-37)
9	36 mm	08780387 Pack #9	1.417 (36.0)	08780370	1.417 (36.0)	08780308	1.181 (30.0) 1.220 (31.0)	08761643 08761555	1.25 (31.8)	08761439	1.25-1.49 (31.8-37.8)	08643143 033-03-015	08761842 1.06-1.43 (27-37)
10	37 mm	08780388 Pack #10	1.457 (37.0)	08780371	1.457 (37.0)	08780309	1.220 (31.0)	08761555	1.25 (31.8)	08761439	1.25-1.49 (31.8-37.8)	08643143 033-03-015	08761842 1.06-1.43 (27-37)
11	1.25" TRUE	08780389 Pack #11	1.500 (38.1)	08780372	1.500 (38.1)	08780333	1.250 (31.7)	08761670	1.50 (38.1)	08761440	1.25-1.49 (31.8-37.8)	08643143 033-03-015	08761842 1.06-1.43 (27-37)
12	40 mm	08780390 Pack #12	1.575 (40.0)	08780373	1.575 (40.0)	08780334	1.299 (33.0)	08761579	1.50 (38.1)	08761440	1.50-1.99 (38.1-50.5)	08643149 033-03-016	08761842 1.06-1.43 (27-37)
13	42 mm	08780391 Pack #13	1.653 (42.0)	08780374	1.653 (42.0)	08780335	1.378 (35.0)	08761660	1.50 (38.1)	08761440	1.50-1.99 (38.1-50.5)	08643149 033-03-016	08761842 1.06-1.43 (27-37)
14	44 mm	08780545 Pack #14	1.732 (44.0)	08780546	1.732 (44.0)	08780547	1.496 (38.0)	08761786	1.50 (38.1)	08761440	1.50-1.99 (38.1-50.5)	08643149 033-03-016	08761842 1.06-1.43 (27-37)
15	46 mm	08780460 Pack #15	1.811 (46.0)	08780466	1.811 (46.0)	08780461	1.299 (33.0)	08761579	1.50 (38.1)	08761440	1.50-1.99 (38.1-50.5)	08643149 033-03-016	08761842 1.06-1.43 (27-37)
16	50 mm	08780575 Pack #16	1.969 (50.0)	08780435	1.969 (50.0)	08780431	1.606 (40.0)	08761579	2.00 (50.8)	08761442	1.50-1.99 (38.1-50.5)	08643149 033-03-016	08761844 1.37-1.68 (35-43)

Duct Rod Pusher

B.

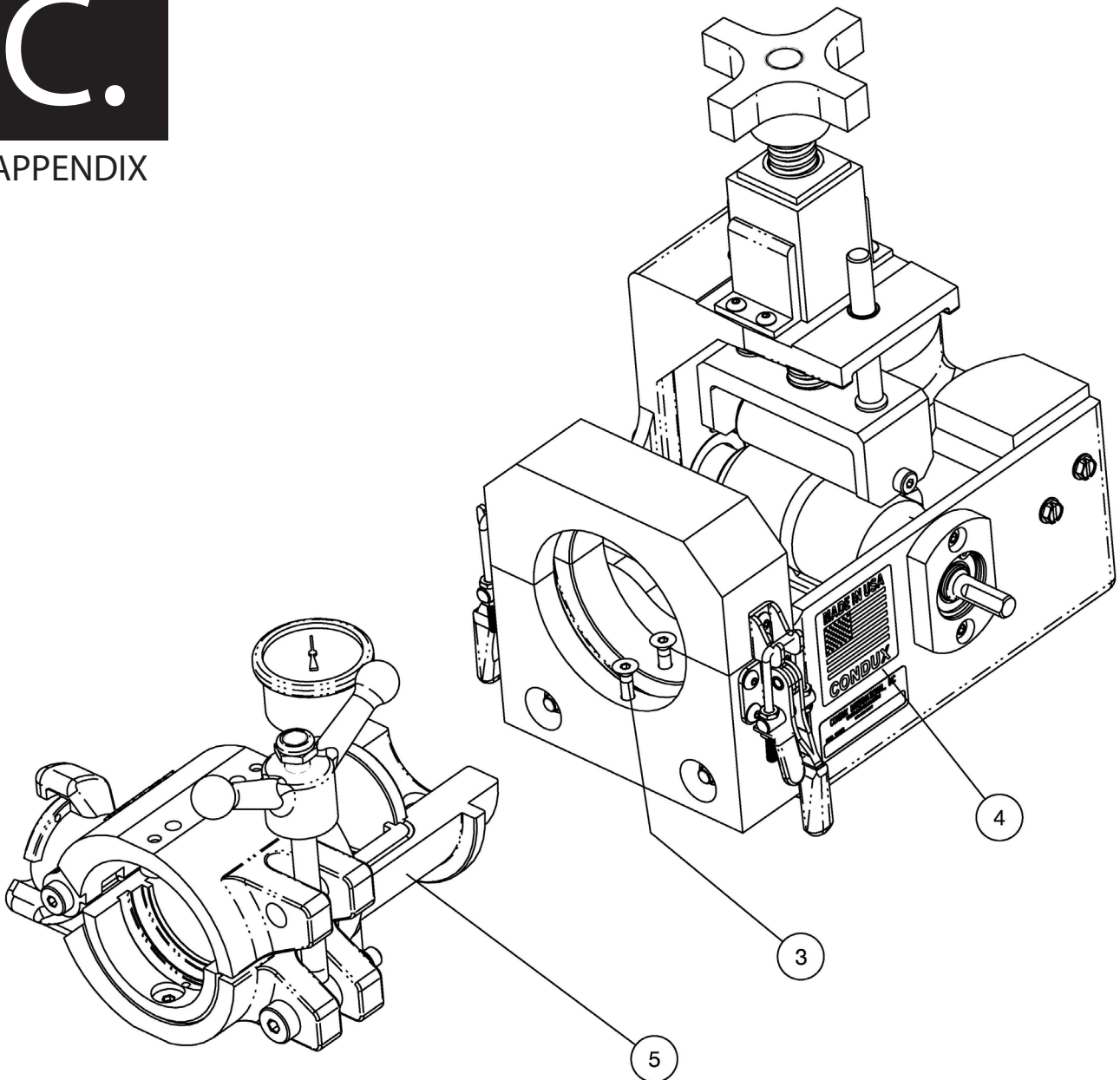
APPENDIX



DUCT ROD PUSHER (08081301)			
ITEM	PART NO.	DESCRIPTION	QTY
1	02021400	CAPSRW 0.25-20X0.75 HHSTGR5 CZ	2
2	02102001	FLATWSHR 0.25 TYPEA-N-ST CZ	6
3	02240800	CAPSRW #10-24X0.50 BHSS 18-8	4
4	02269675	CAPSRW #08-32X0.38 BHSS 18-8	16
5	02263678	SPRING, COPRSS .105-1.095-1.00	1
6	02269687	BEARING, DGB 15ID 28MMOD SLD	2
7	02287830	SETSCREW, .190-32 X .25 HXSO PL	2
8	02288425	CAPSRW 0.25-20X1.75 HHSTGR5 CZ	2
9	02288443	SCREW,TAP .190-16X1.00 HXAB CZ	4
10	02290269	CLAMP,TOGGLE-PULL ACTION 360#	2
11	02290923	KEY,SZ 0.187X0.50 CF1018 UNDERSIZED	2
12	02291162	RING, RETAINER 28MM INT	2
13	08081302	BLOCK,GUIDE-NYLON (DRP)	1
14	08081303	MOUNT,CLAMP ROLLER (ASSY)	1
15	08081305	ROLLER,CENTER DRIVE (DRP)	1
16	08081308	BLOCK, LOWER CLAMP (DRP)	1
17	08081309	BLOCK, UPPER CLAMP (DRP)	1
18	08081310	SHAFT,DRIVE -CNTR ROLLER (DRP)	2
19	08081319	SLEEVE,DRIVE RLLR-GROOVED	1
20	08081320	SLEEVE, DRIVE RLLR-FLAT	1
21	08081321	BODY,MINI BLOWER-MACHINED	1
22	08761033	INSERT,CLAMP ADJUSTMENT (ASSY)	1
23	08761036	INSERT,CLAMP ROLLER ADJUSTMENT	1
24	08761045	HOUSING, BEARING-COUNTER SHAFT	2
25	08761516	MOUNT,SPRING RETAINING (WELD)	1
26	12013700	NUT 0.25-20 NYLOC ST GR5 CZ	2

Blower/Pusher Assembly

APPENDIX

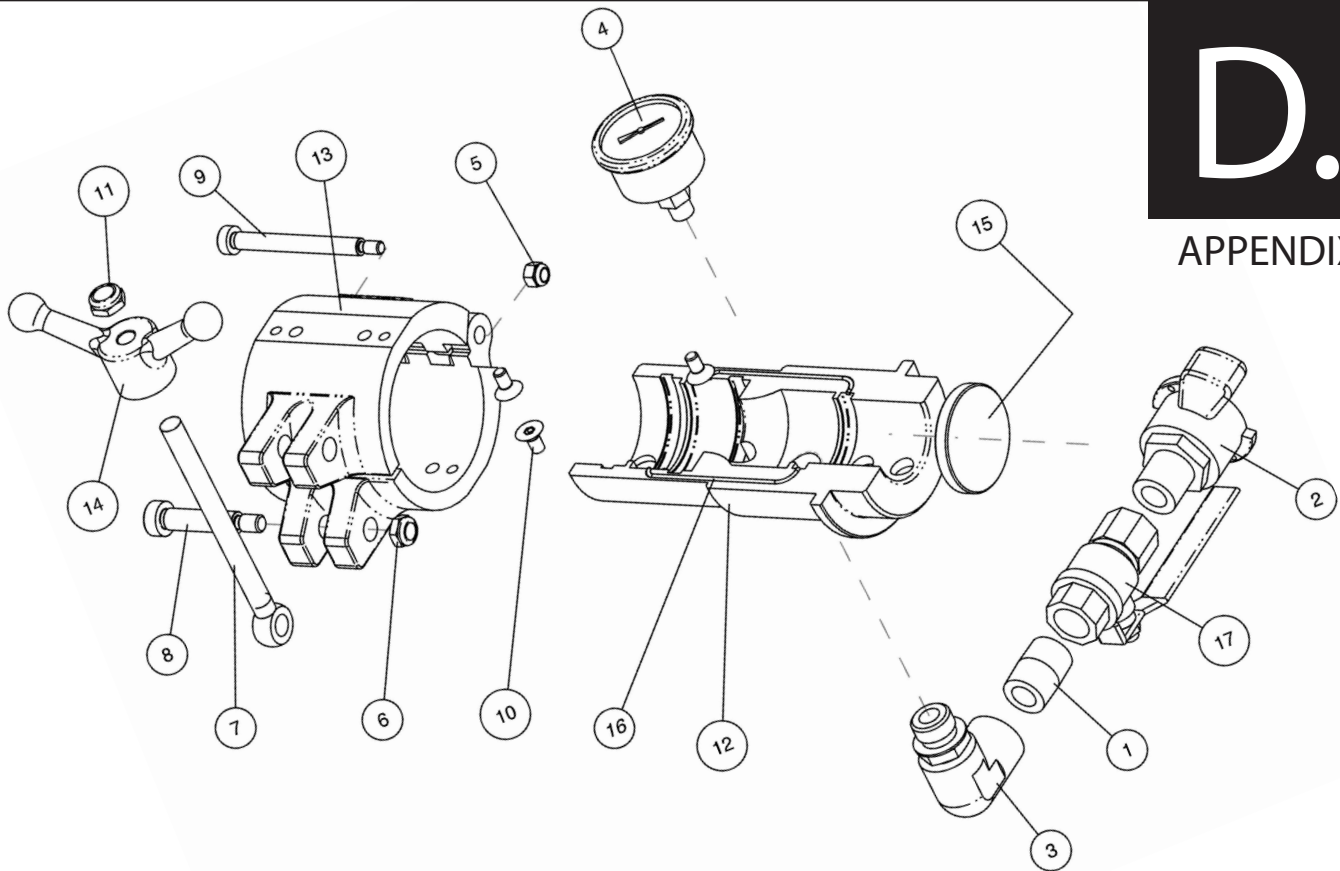


BLOWER/PUSHER ASSEMBLY (08780800)			
ITEM	PART NO.	DESCRIPTION	QTY
1	2290291	LABLE, MAKDE IN USA	1
2	2290849	PLATE, SERIAL NMBR 0.75X2.00	1
3	2290926	CAPSRW#10-24X1.25 CSSS 18-8	2
4	8081301	PUSHER, DUCTROD ASSY	1
5	8081315	BLOWER, MINI ASSY	1

Mini-Blower Assembly



APPENDIX

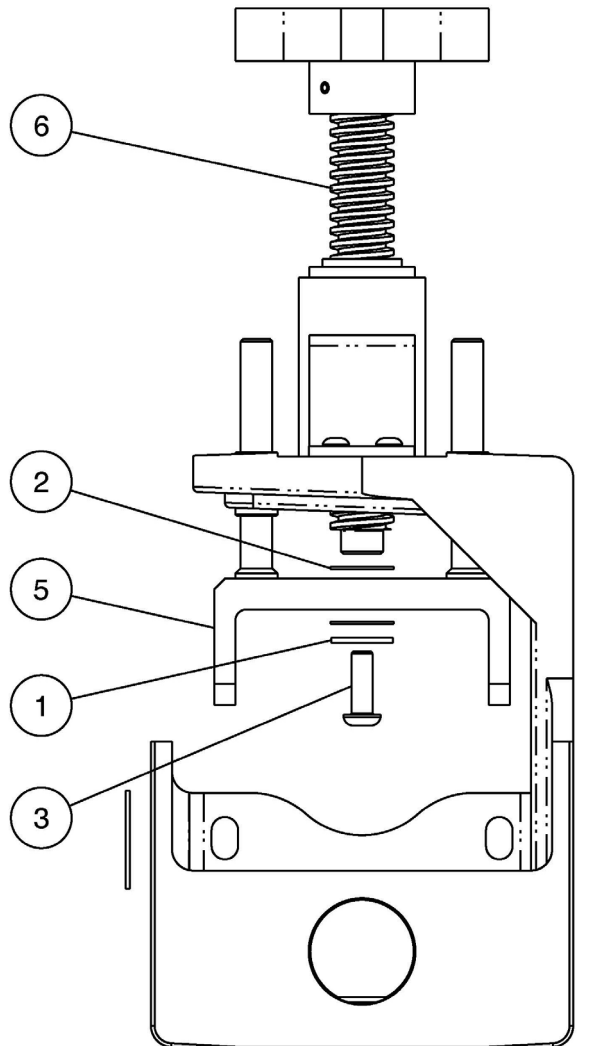


MINI-BLOWER ASSEMBLY (08081315)			
ITEM	PART NO.	DESCRIPTION	QTY
1	02020000	FTG,HYD 08-NP_M;08-NPT_M	1
2	02129700	COUPLING, UNIVERSAL CLAW 0.75M THD	1
3	02290926	FTG,HYD 08 O-RING;08-NPT_M	1
4	08081301	GAUGE,PRESS 0-200 1.50 BACK MT	1
5	08081315	NUT M06-1.00 NYLOC ST 4 CZ	2
6	02288694	NUT M08-1.25 NYLOC ST 4 CZ	1
7	02289293	BOLT, SWING M10-1.5 X 125 ST	1
8	02289294	SCREW,SHOULDER M10 DIA- 40MMLG	4
9	02289295	SCREW,SHOULDER M08 DIA- 70MMLG	1
10	02289297	CAPSRW M06- 1.0X 12 CSSS 18-8	1
11	02289382	NUT M10- 1.50 NYLOC ST 4 THNCZ	1
12	08081318	ADAPTER,INSERT-MINI BLWR (SET)	1
13	08764001	COUPLING, BODY-HAND HELD BLOWER	1
14	08764006	HANDLE,BALL 4.50 OD-M10 THRDS	1
15	08780223	PLUG,VENTURI AIR-LW FO BLOWER	1
16	08783076	KIT,SEAL 0.070 O-RING GS200/300	1
17	11274400	VALVE,BALL-.50 IN	1

Clamp Adjustment Screw

E.

APPENDIX

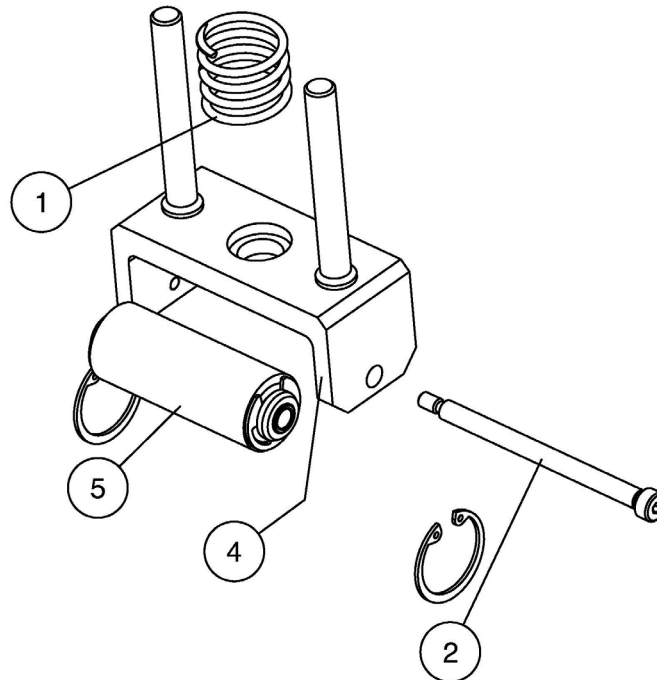


MOUNT CLAMP ASSY			
ITEM	PART NO.	DESCRIPTION	QTY
1	02269678	SPRING,COMPRSS .105-1.095-1.00	1
2	02290268	SCREW,SHOULDER .250 DIA-3.250	1
3	02291162	RING,RETAINING 28MM INT	2
4	08081303	MOUNT,CLAMP ROLLER (ASSY)	1
5	08081311	ROLLER,CLAMP ASSY- (DRP)	1

Mount Clamp Assembly



APPENDIX

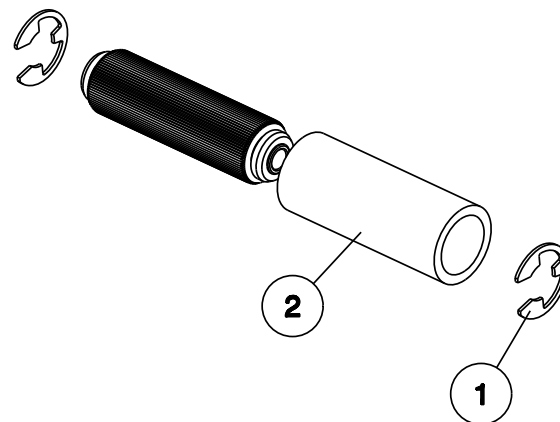


MOUNT CLAMP ASSY			
ITEM	PART NO.	DESCRIPTION	QTY
1	02269678	SPRING,COMPRSS .105-1.095-1.00	1
2	02290268	SCREW,SHOULDER .250 DIA-3.250	1
3	02291162	RING,RETAINING 28MM INT	2
4	08081303	MOUNT,CLAMP ROLLER (ASSY)	1
5	08081311	ROLLER,CLAMP ASSY- (DRP)	1

Clamp Roller Assembly



APPENDIX



CLAMP ROLLER ASSEMBLY (08081311)			
ITEM	PART NO.	DESCRIPTION	QTY
1	02290379	RING, RETAINING 5/8 EXT (1000 SERIES)	2
2	08081313	SLEEVE,CLAMP ROLLER-PU	1

Available Options

HEAVY DUTY TRIPOD

The Mini-Blower/Pusher mounts easily to the surveyor style tripod, which adds stability and versatility to fiber optic cable installations.



Heavy Duty Tripod
Part # 08780850

PNEUMATIC DRILL DRIVE "Y" CONNECTOR

A "Y" Connector air hose option allows for the use of a pneumatic drill drive configuration. Unit also comes with variable pressure control.



"Y" Connector Air Hose
Part # 08780855

MINI-BLOWER/PUSHER JOB BOX

The Mini-Blower/Pusher is easy to handle and transport. The blower and all accessories including cable and conduit packs and seal kits conveniently fit into the lightweight job box.



Job Box with Kit
Part # 08780801



Condux International, Inc.

P.O. Box 247 • 145 Kingswood Drive, Mankato, MN 56002-0247 USA
1-507-387-6576 • 1-800-533-2077 • FAX 1-507-387-1442
www.condux.com • e-mail: cndxinfo@condux.com

© Copyright 2015, Condux International, Inc.
Printed in USA
Literature Part Number: 08780899
Revision Number: 1.2