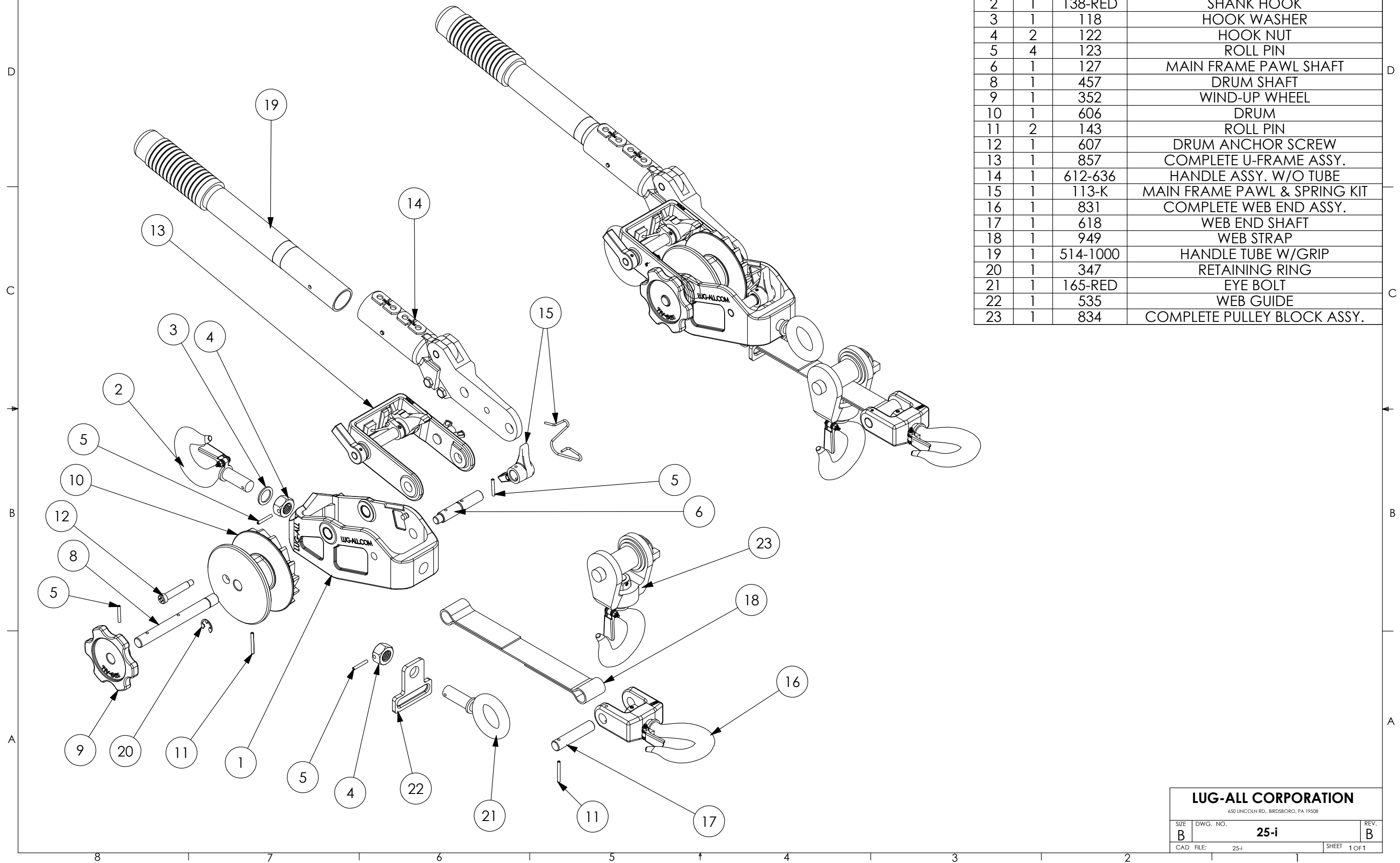


THE INFORMATION CONTAINED IN THIS DRAWING IS THE SOLE PROPERTY OF LUG-ALL CORPORATION. ANY REPRODUCTION IN PART OR AS A WHOLE WITHOUT THE WRITTEN PERMISSION OF LUG-ALL CORPORATION IS PROHIBITED.

ITEM	QTY.	PART NO.	DESCRIPTION
1	1	603	MAIN FRAME
2	1	138-RED	SHANK HOOK
3	1	118	HOOK WASHER
4	2	122	HOOK NUT
5	4	123	ROLL PIN
6	1	127	MAIN FRAME PAWL SHAFT
8	1	457	DRUM SHAFT
9	1	352	WIND-UP WHEEL
10	1	606	DRUM
11	2	143	ROLL PIN
12	1	607	DRUM ANCHOR SCREW
13	1	857	COMPLETE U-FRAME ASSY.
14	1	612-636	HANDLE ASSY. W/O TUBE
15	1	113-K	MAIN FRAME PAWL & SPRING KIT
16	1	831	COMPLETE WEB END ASSY.
17	1	618	WEB END SHAFT
18	1	949	WEB STRAP
19	1	514-1000	HANDLE TUBE W/GRIP
20	1	347	RETAINING RING
21	1	165-RED	EYE BOLT
22	1	535	WEB GUIDE
23	1	834	COMPLETE PULLEY BLOCK ASSY.



**LUG-ALL CORPORATION**  
 650 LINCOLN RD., BIRDSBORO, PA 19508

SIZE B	DWG. NO. 25-i	REV. B
CAD FILE: 25-i	SHEET 1 OF 1	